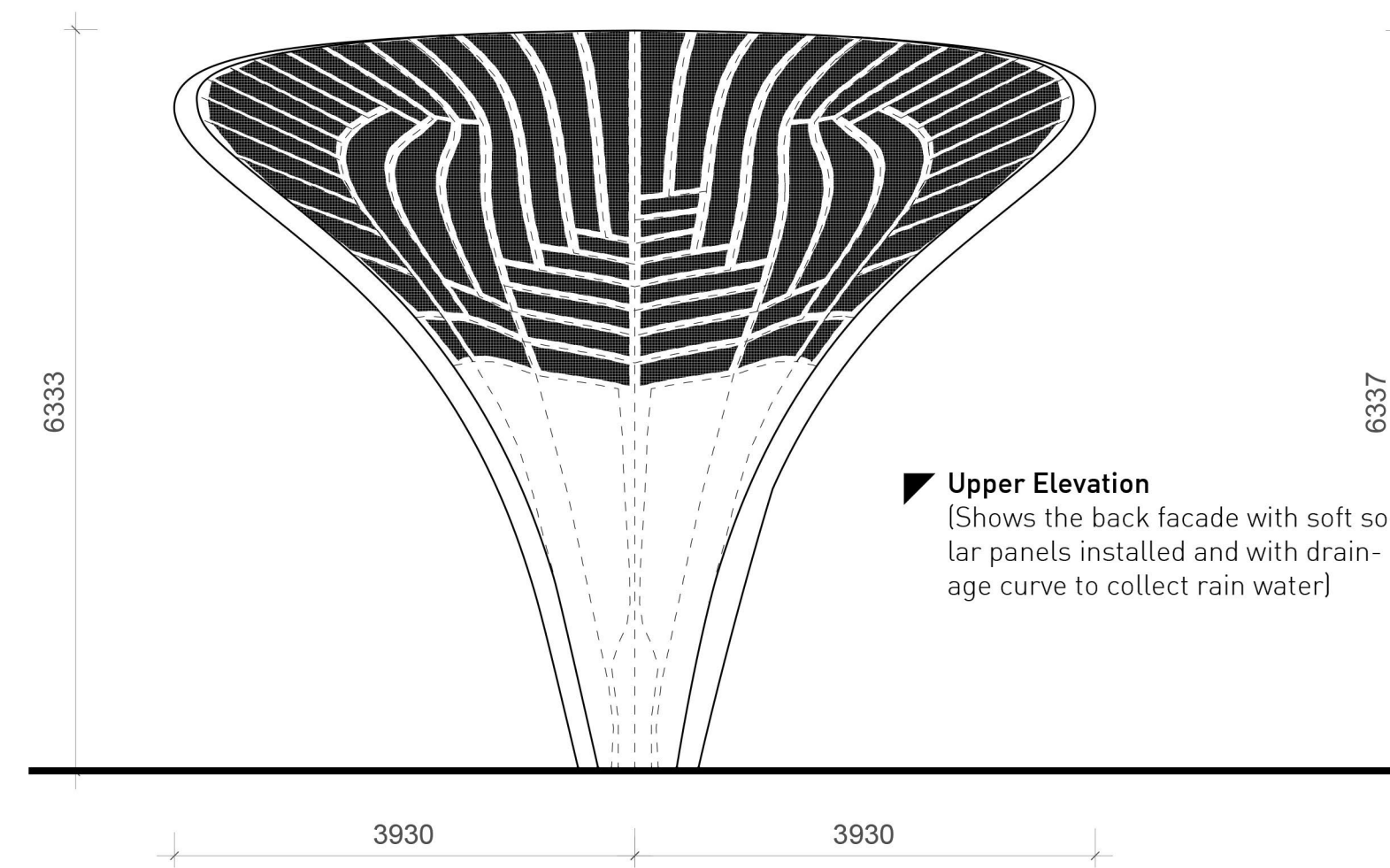
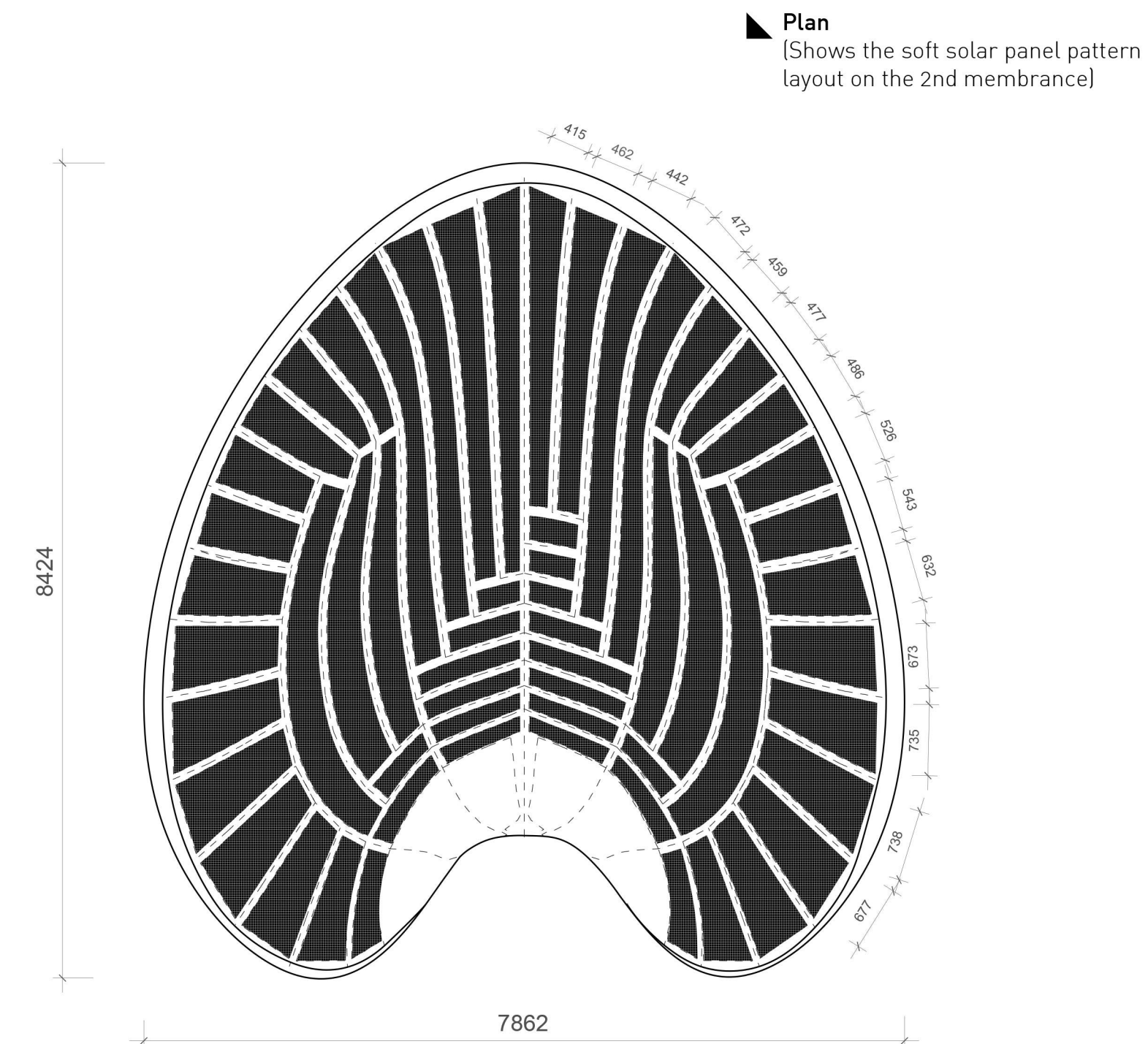
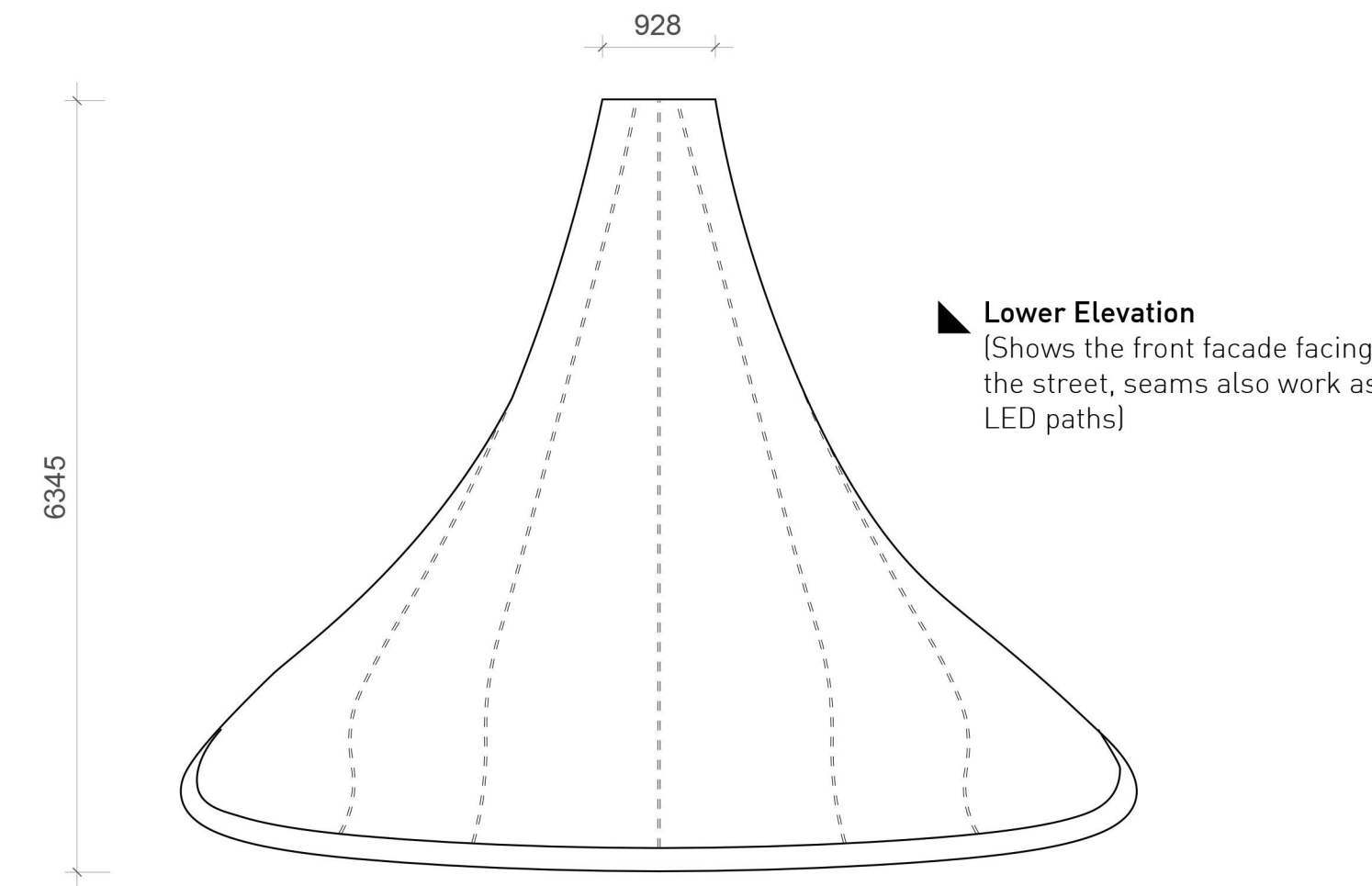
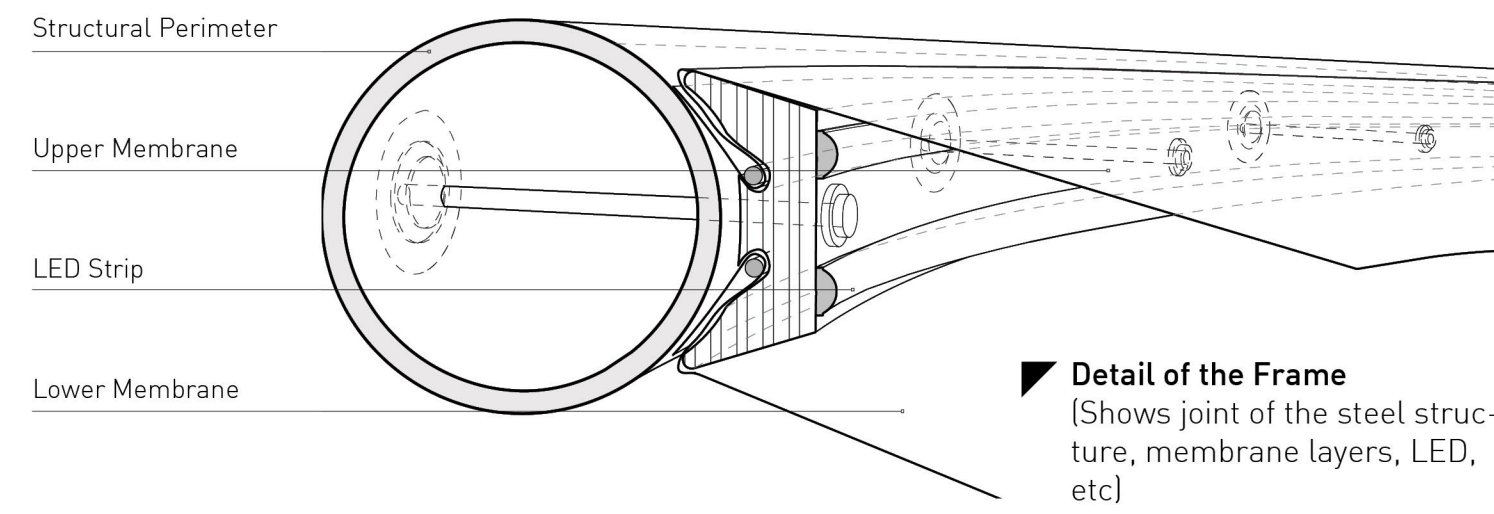




City Scenario of the mass production of the installation



5. Soft Solar Panels + Wire
 (Benefit from bigger surface, the soft panel performs more efficient than the traditional flat panel)

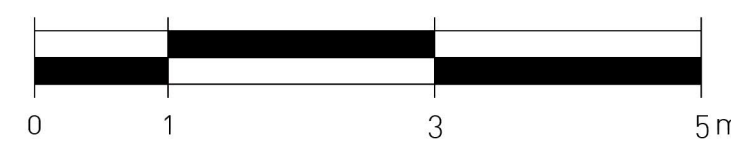
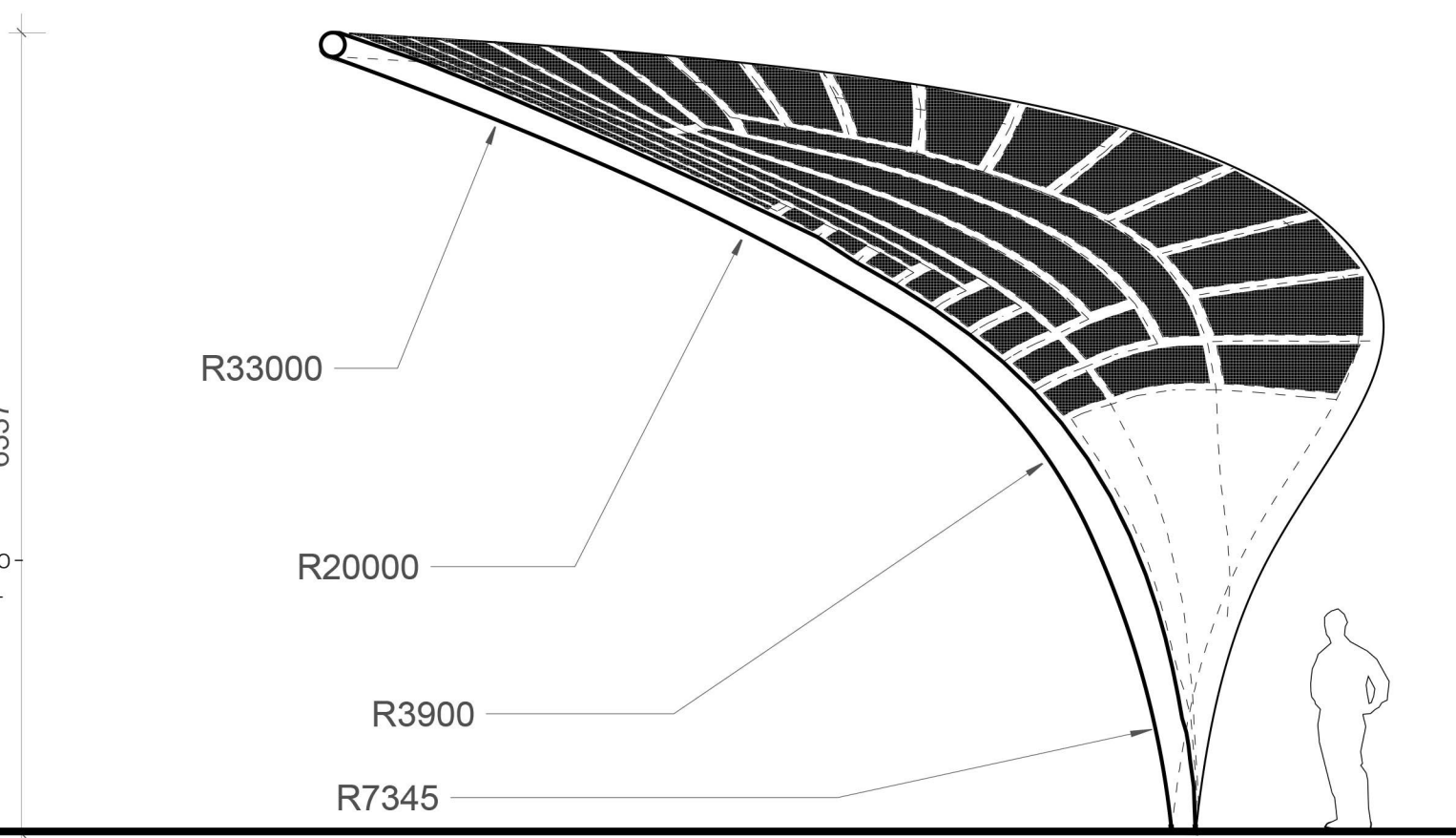
4. ePEFE Membrane
 (2nd Layer as the base surface for the soft solar panels)

3. Membrane Seam Joint
 (Also as LED lighting and electric wire)

2. ePEFE Membrane
 (1st Layer as the down side facade)

1. Structural Framework
 (Steel Structure + LED Lighting inserted)

Section
 (Shows the double layered membranes)



*For plan, elevation and section only