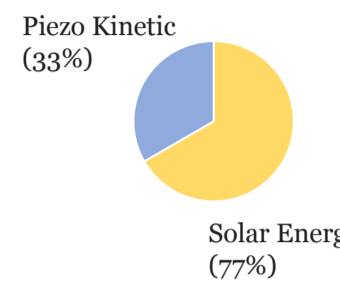
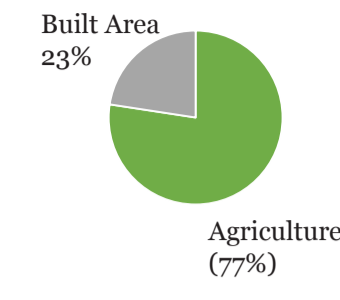




Site Analytics

Usage	Area (SM)	%
Agriculture	62,484.00	77
Built Area	18,226.00	23
Total Site	80,710.00	

Harvest	Area (SM)	%
Solar Energy	10,100.00	67
Piezo (Kinetic) Energy	5,050.00	33
Gallons	2,800.00	
Water		

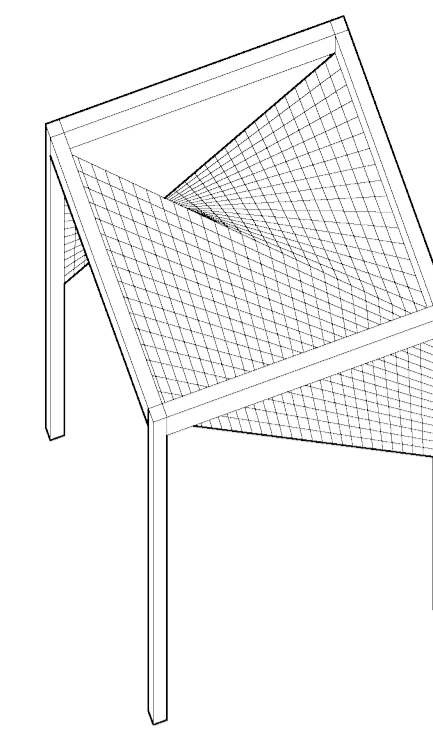


☰ = 10x Homes



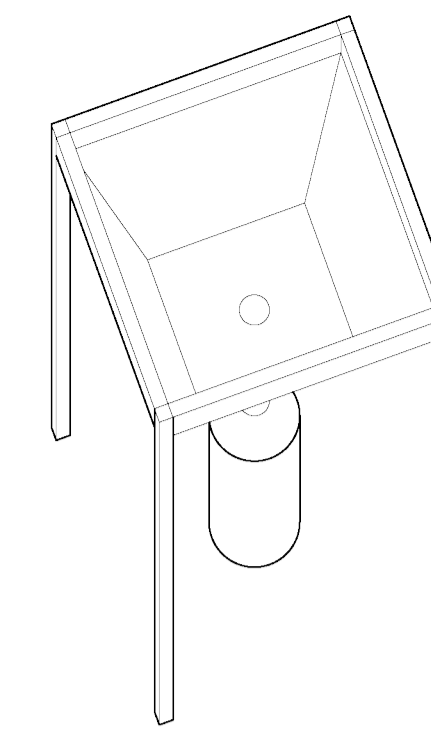
Energy harvested (2,523 MWh) annually on site is enough to power

140 homes



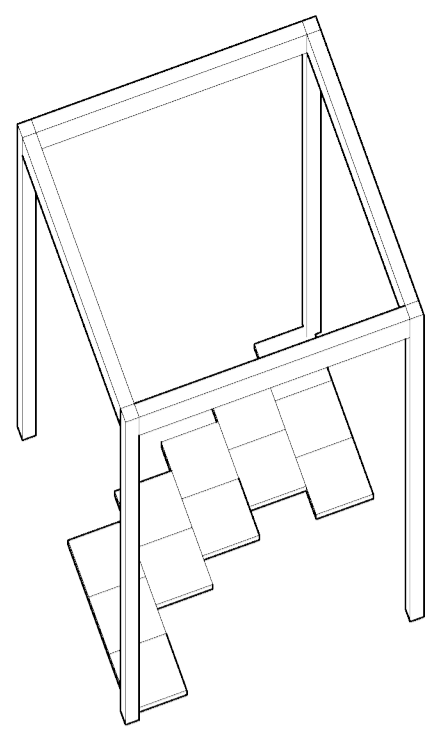
DSSC FABRIC MODULE

DSSC Fabric Modules are comprised 29 square meters of Dye-sensitized solar cells fabric coated in PMMA.



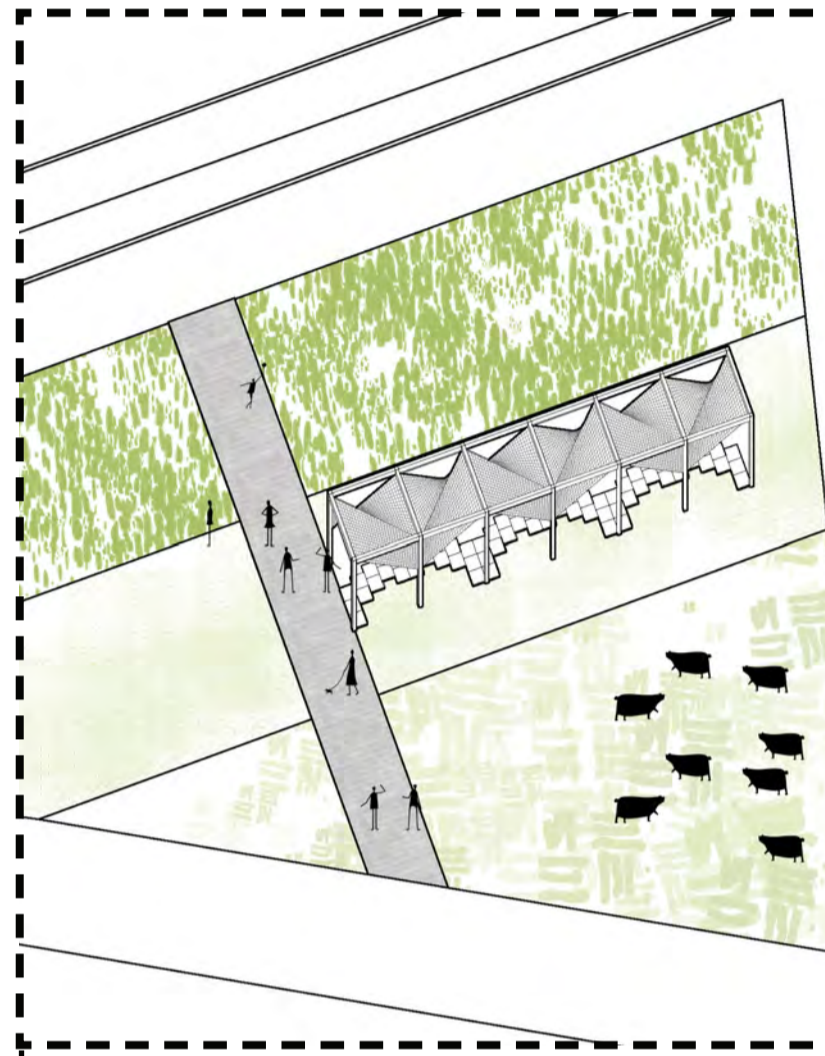
WATER MODULE

Water Modules are stainless steel water collecting devices with a reservoir base.



PIEZO-ELECTRIC PANELS

Piezo-electric Panels are pavers that collect kinetic energy from pedestrians foot steps.



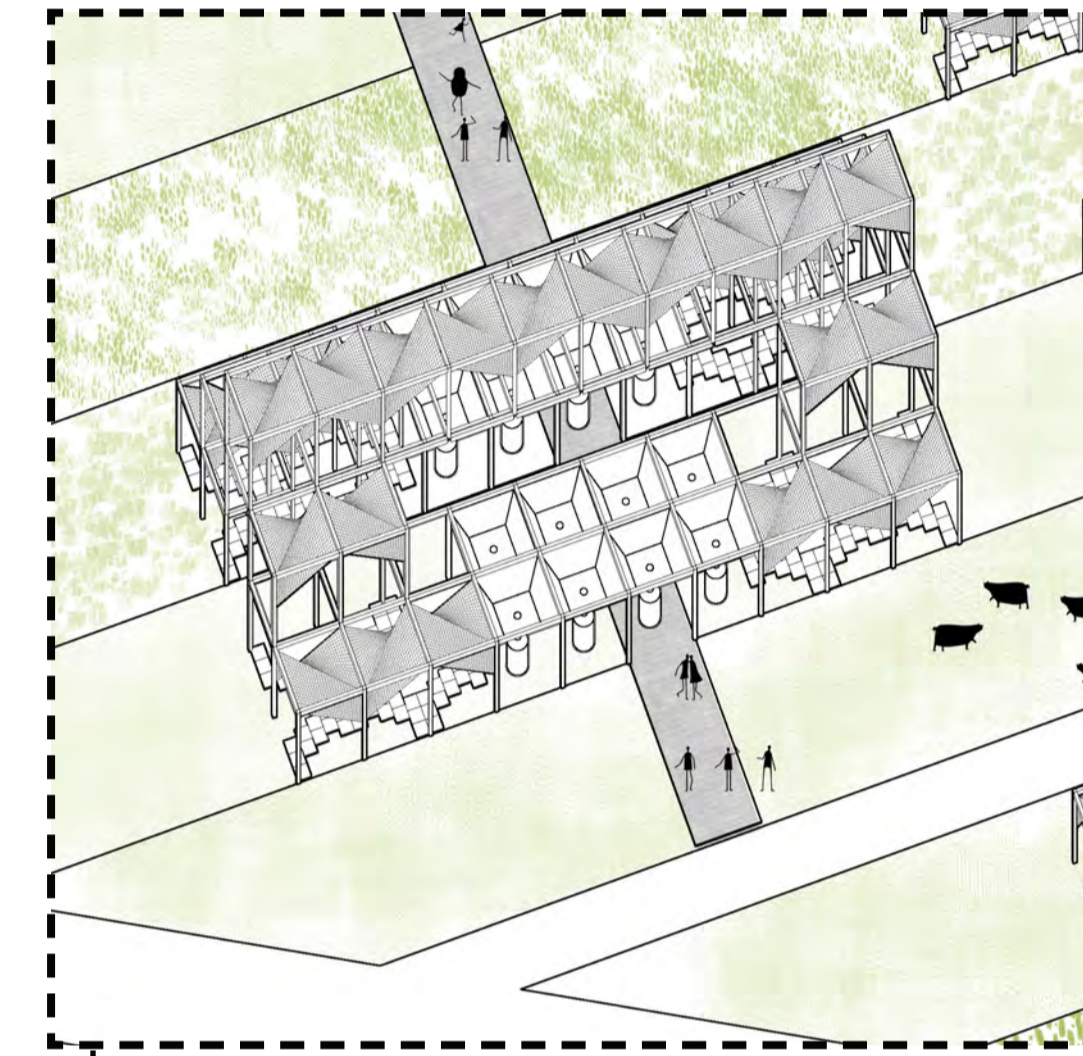
AAA

"AAA" is the smallest composition and is comprised of four to six DSSC fabric modules and generates between 12.5 kWatt to 18.7 kWatt.



AA

The "AA" is comprised of 12 to 24 DSSC fabric modules and generates between 18.7 kWatt to 74.8 kWatt, it contains eight water modules.



C

The "C" is comprised of about 30 DSSC fabric modules and generates roughly 93.5 kWatt, it also contains 16 water modules.



D

The "D" is comprised of 52 DSSC fabric modules and generates 162.1 kWatt, It also contains 8 water modules.

