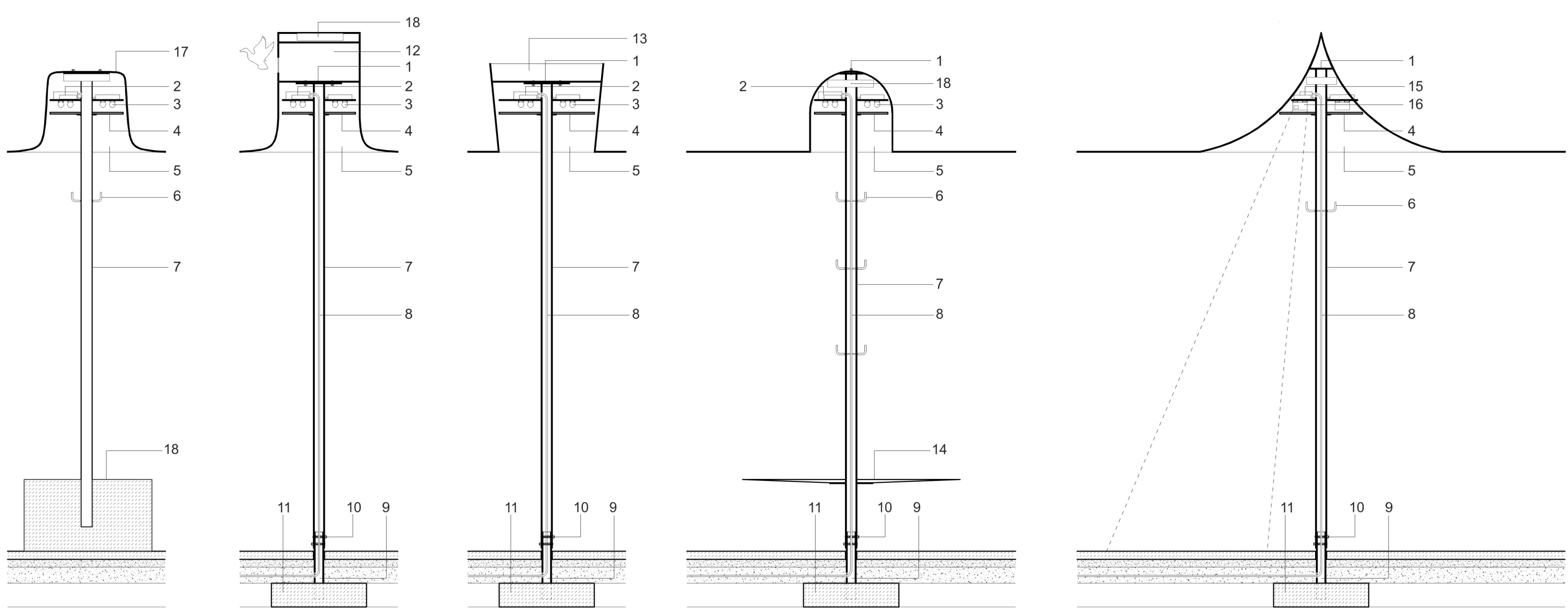


FURNITURE DETAILS SCALE 1:20



- 1. Shape fixed to a stainless steel pipe
- 2. Light control system: the ability to change the color and intensity of light
- 3. LED light
- 4. Translucent plexiglass
- 5. Galvanized steel sheet painted black
- 6. Steel hook
- 7. Stainless steel pipe - 70 mm
- 8. Electric cable routed inside the stainless steel tube
- 9. Bar fixed in a concrete foundation
- 10. Point fixing of the pipe to the rod
- 11. Concrete foundation
- 12. Birdhouse hidden inside the shape
- 13. Drinker for birds
- 14. Bench fixed to a steel pipe
- 15. Projection control system: the subject and frequency of displaying images can be changed
- 16. System of multimedia projectors hidden inside the shape
- 17. Solar energy absorption system - outer shell of shape coated with perovskites solar cell print
- 18. Solar energy power accumulator absorbed through tiles with perovskites
- 19. Concrete "foot" enabling the attachment of a mobile furniture / seat

- 1. granite brick / 100 x 100mm
moss and sedum + soil
substrate / 100mm
sand bedding / 60mm
aggregate foundation / 400mm
drainage layer / 100mm
- 2. anti-erosion layer / white marble pebbles
"white Marianna" / ø25 - 40mm
vegetation layer / soil 500mm
filter layer / sand 100mm
drainage layer / washed gravel 200mm
- 3. anti-erosion layer / white marble pebbles
"white Marianna" / ø40 - 60mm
sand layer / 100mm
subtend layer / grunt 300mm
sealing layer / Gardemat - bentonite mat
made of natural sodium bentonite
- 4. layer of recycled, washed white
glass pebbles / ø50 - 100mm
sand layer / 100mm
subtend layer / grunt 300mm
sealing layer / Gardemat - bentonite mat
made of natural sodium bentonite
- 5. impregnated terrace boards / 26mm
polypropylene separator / 25mm
grit filled with grit / 200mm
concrete slab with a slope / 200mm
- 6. impregnated terrace boards / 26mm
polypropylene separator / 25mm
geogrid filled with grit / 200mm
filter tube / ø150mm

