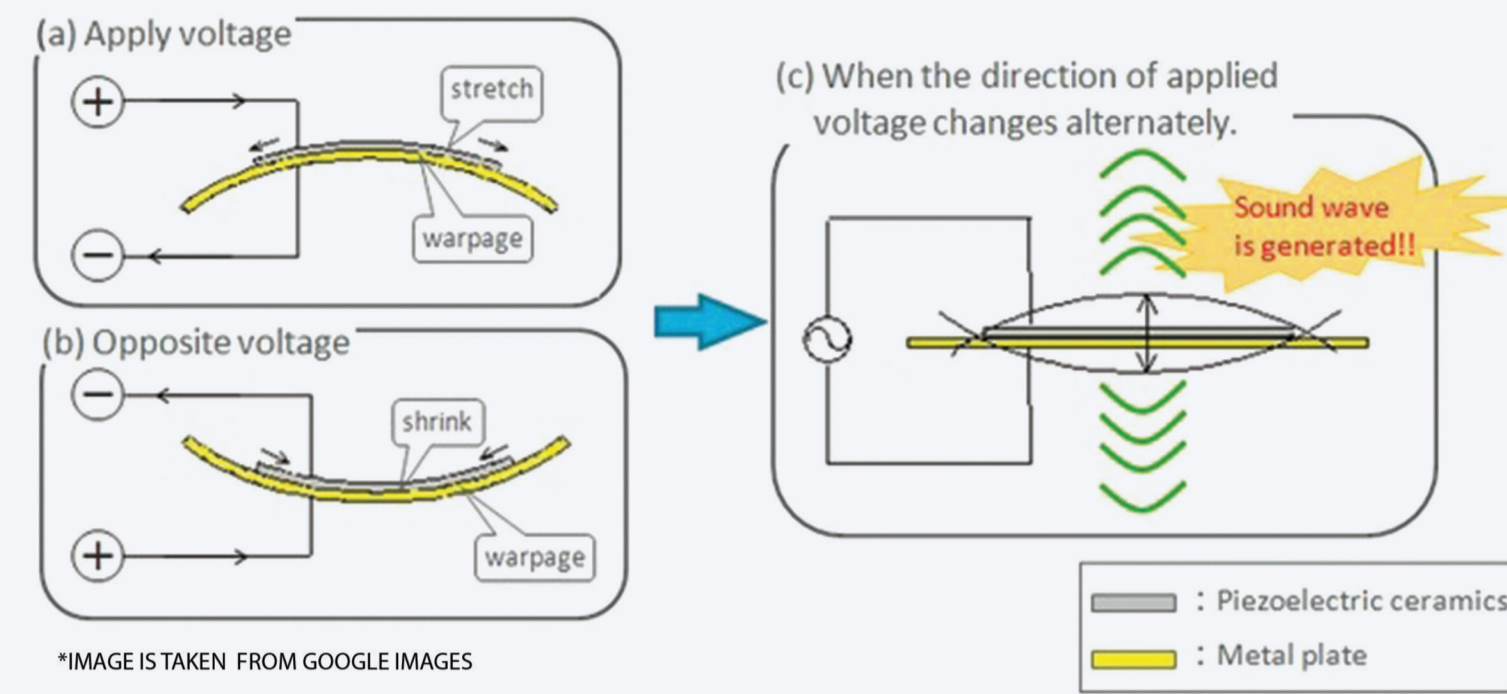


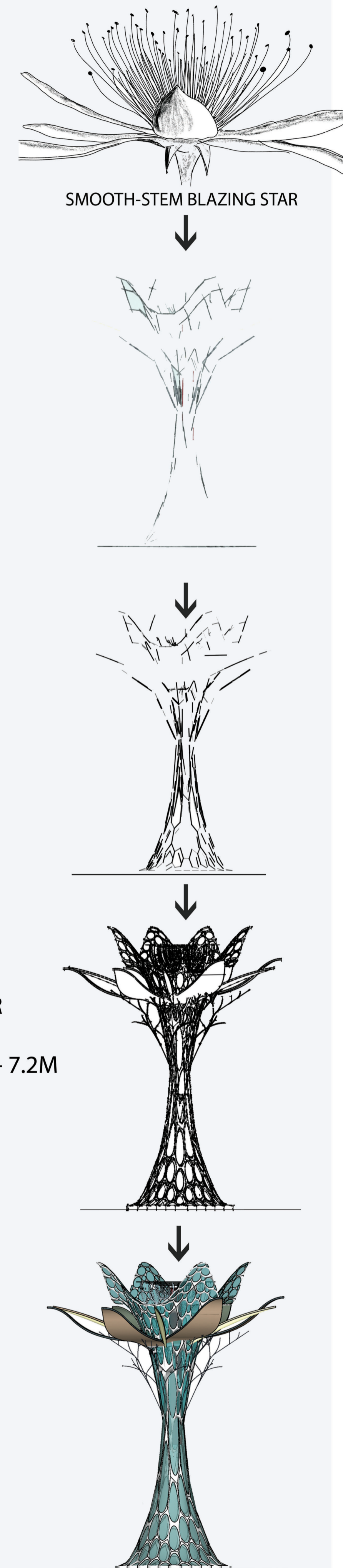


MATERIAL AND MECHANISM :

PIEZO ELECTRICITY

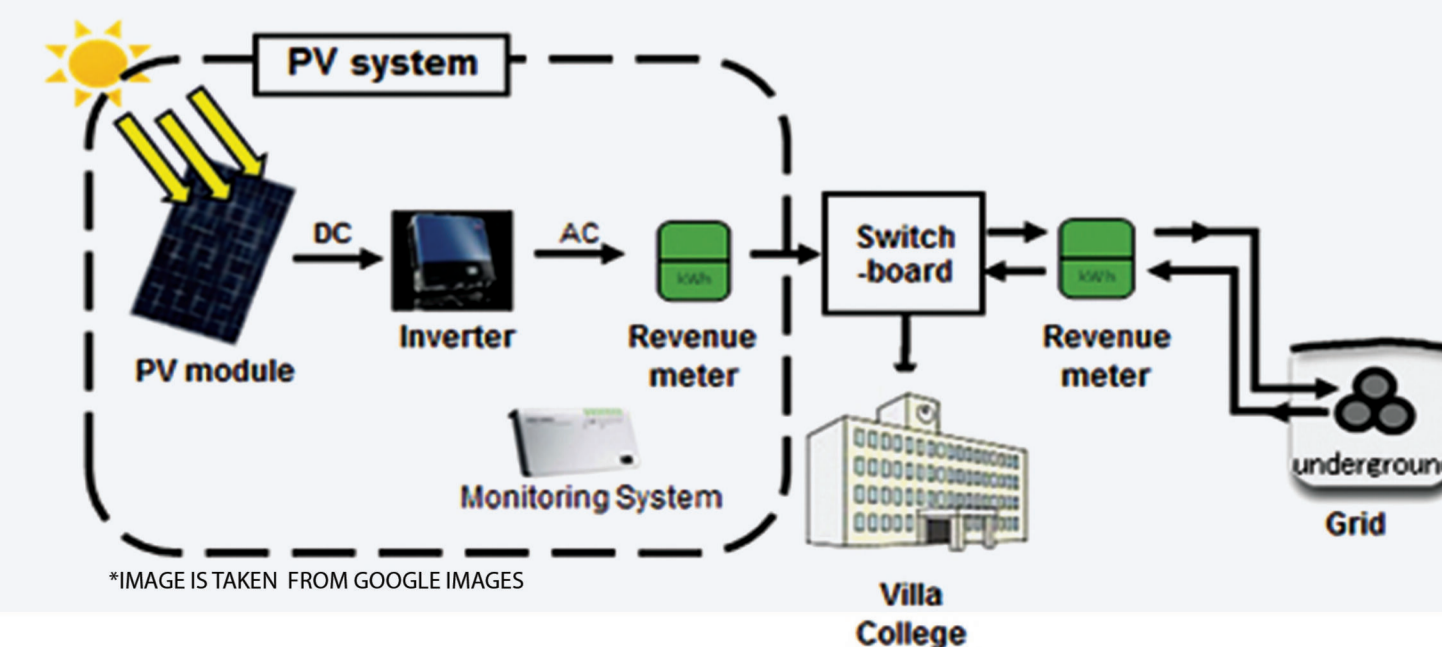


DESIGN IDEA



- PV CELLS/PANELS
- FUNNEL - HELPS IN COLLECTING RAIN WATER/ SNOW
- SEPAL: TOP - OPV BOTTOM - LED
- PETAL: LENGHT - 4.5M , WIDTH - 2M TOP - OPV BOTTOM - LED
- PRE-FABRICATED ALUMINIUM SUPPORTS
- ALUMINIUM CYLINDER IN THE INTERIOR - PROTECTS ELECTRICAL WIRES GETTING IN CONTACT WITH WATER
- ALUMINIUM AND ACRYLIC STEM - STORES HARVESTED SNOW / WATER
- HEIGHT- 15M , BOTTOM DIAMETER - 7.2M TAPERED DIAMETER - 2M
- SEATING AT THE BASE - MADE UP OF PLASTIC LUMBER

PHOTOVOLTAIC MODULE



LUMEN AURA IS DESIGNED TO CREATE AN ENVIRONMENT WHICH ENCOURAGES SOCIALISING, PARTAKING IN COMMUNAL EVENTS WHICH LEADS TO KNOWLEDGE AND EXCHANGE IN CULTURES AND PRACTISES. IT IS A SPACE WHICH ENCOURAGES PEOPLE TO BE TRUE TO THEMSELVES AND PROVIDES A SAFE SPACE