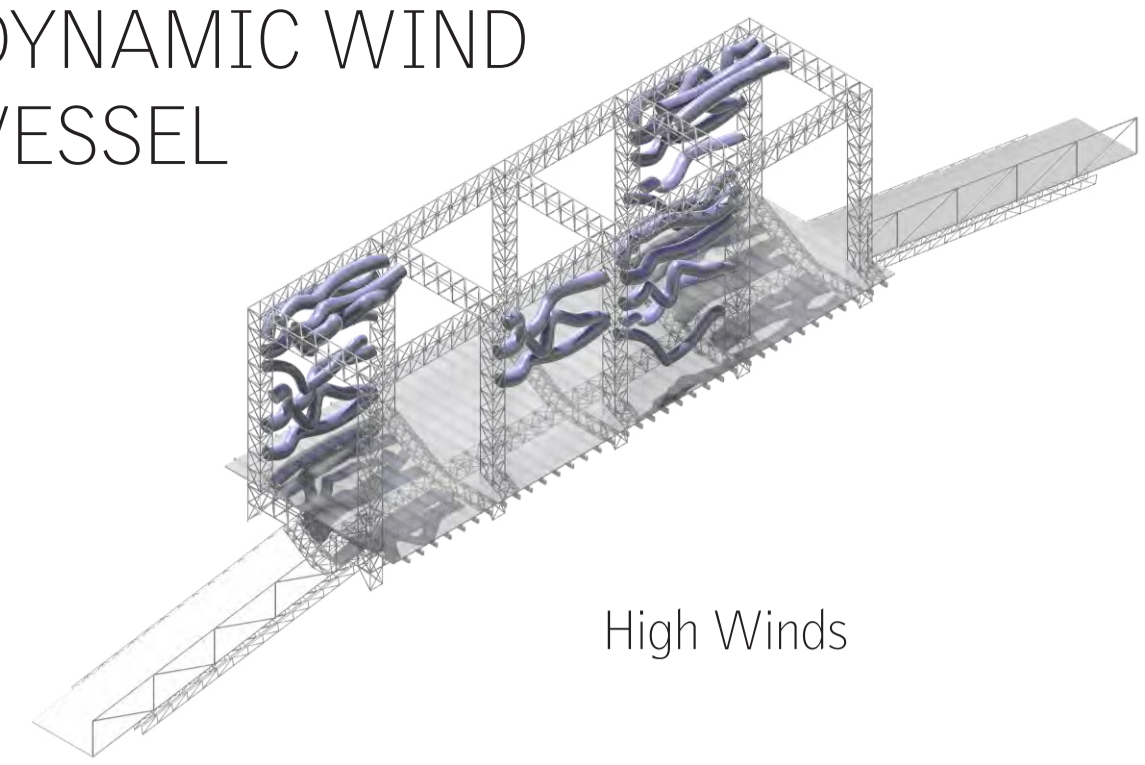


DYNAMIC VESSELS

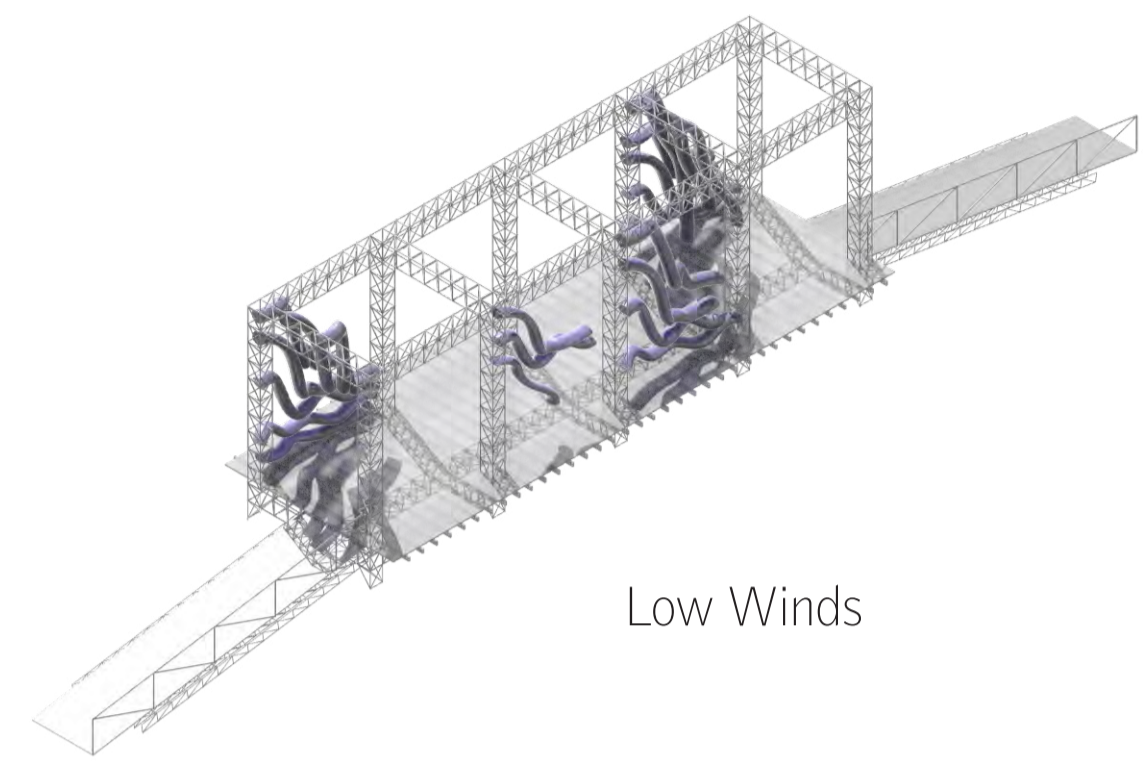
Three different vessels are integrated into the design. Each one serves as a meter for its respective element and changes the quality of the space within through expansion and contraction.

Expansion of the membranes are caused by the intensity of the phenomena which they record. The activated state of the vessels allows for the design to provide more shelter to the spaces on the structure.

DYNAMIC WIND VESSEL

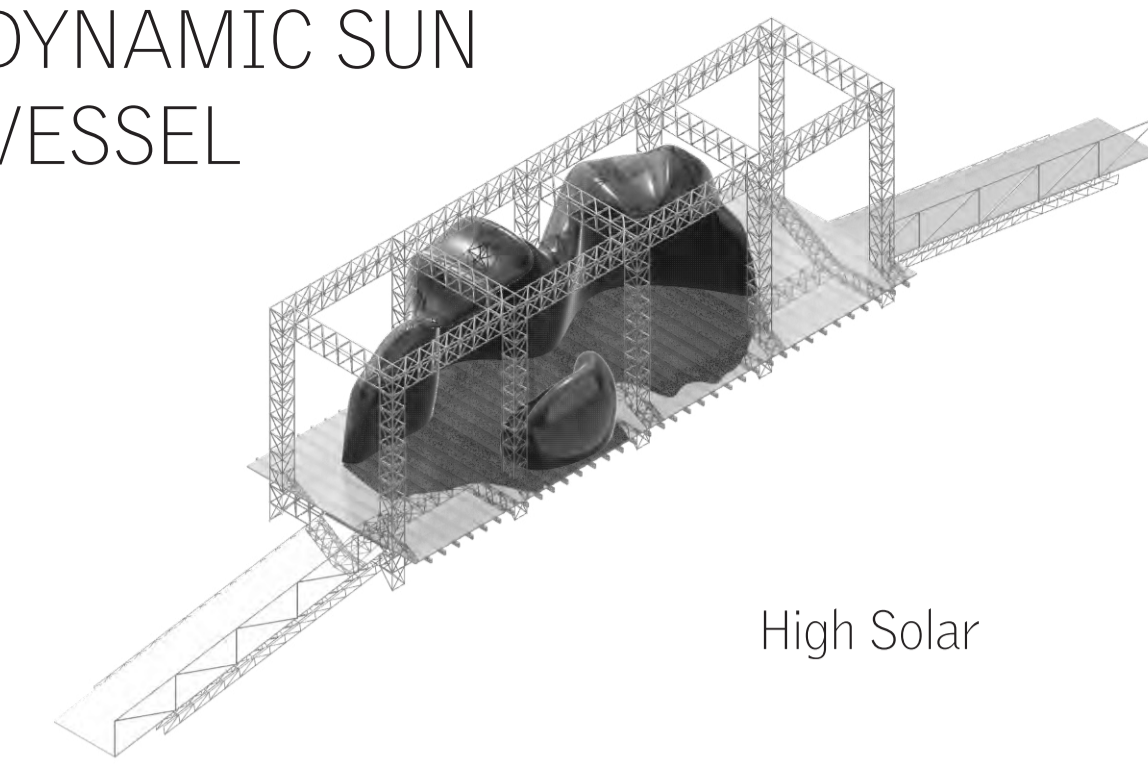


High Winds

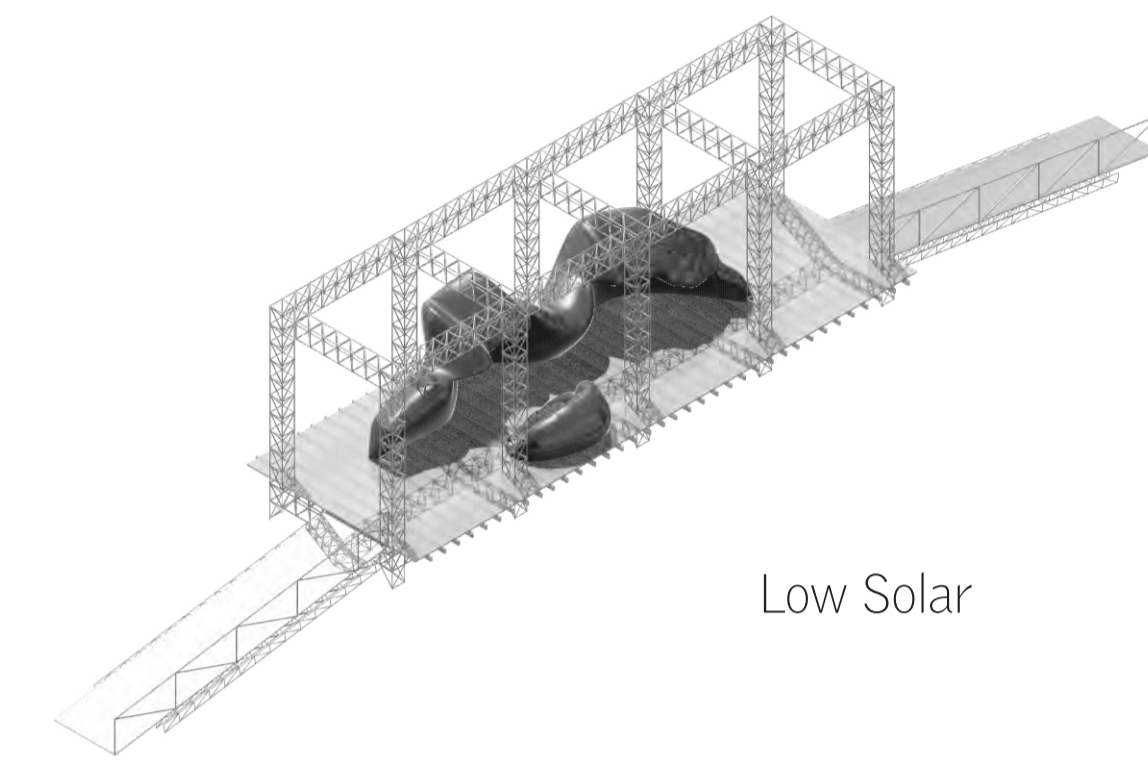


Low Winds

DYNAMIC SUN VESSEL

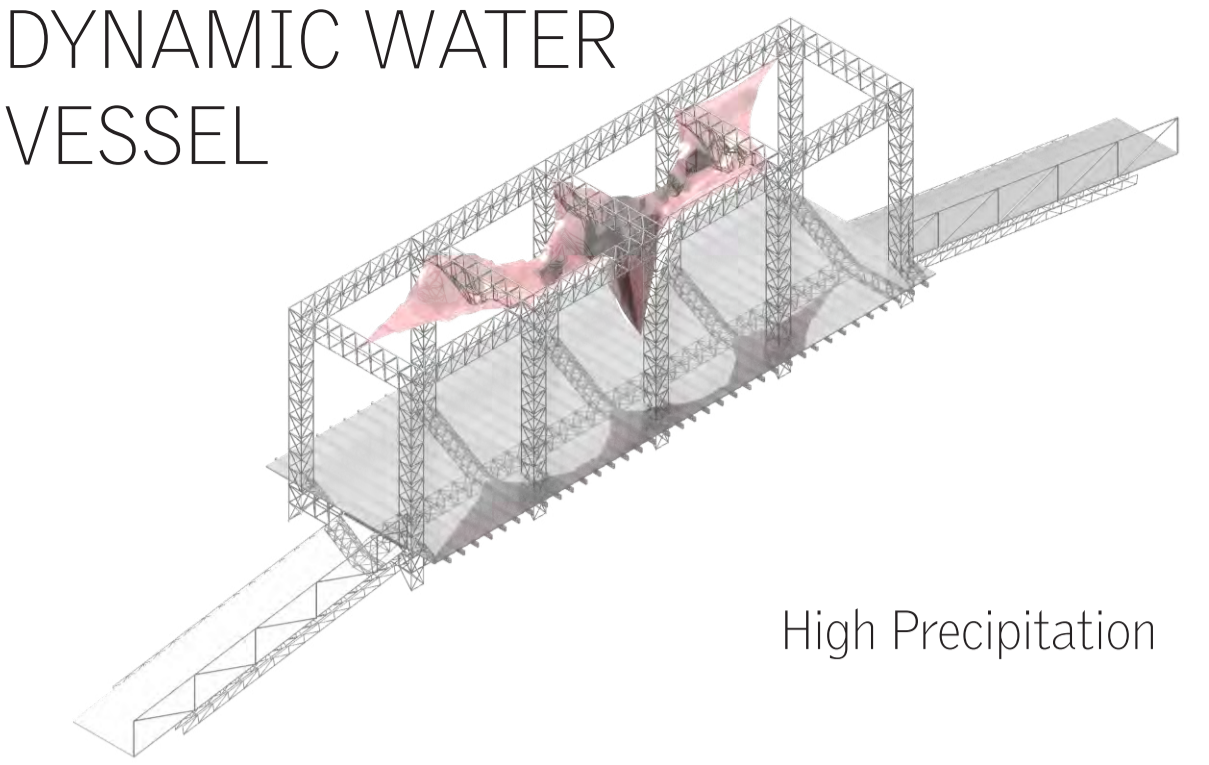


High Solar

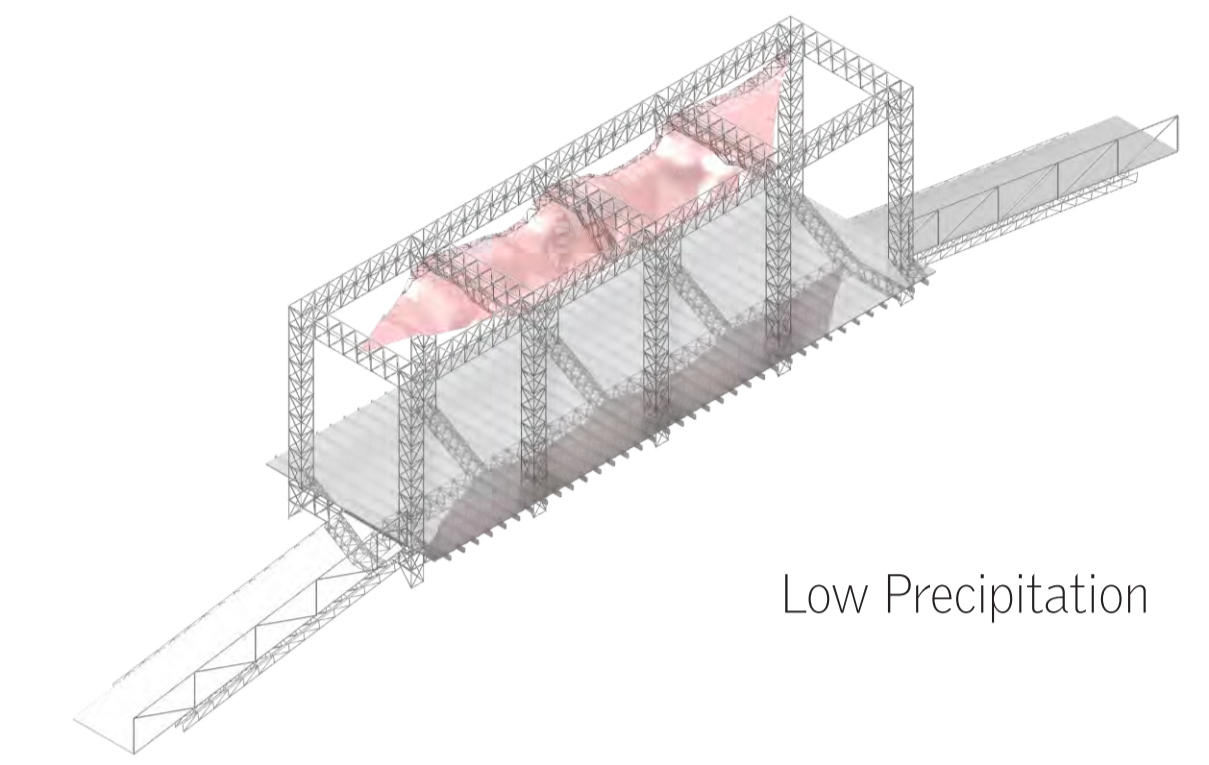


Low Solar

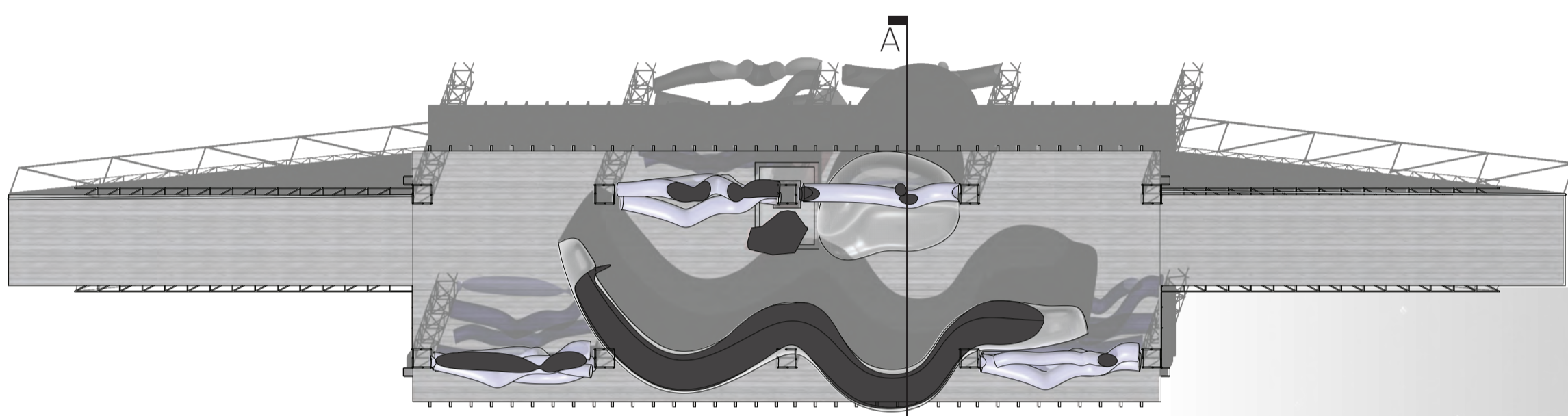
DYNAMIC WATER VESSEL



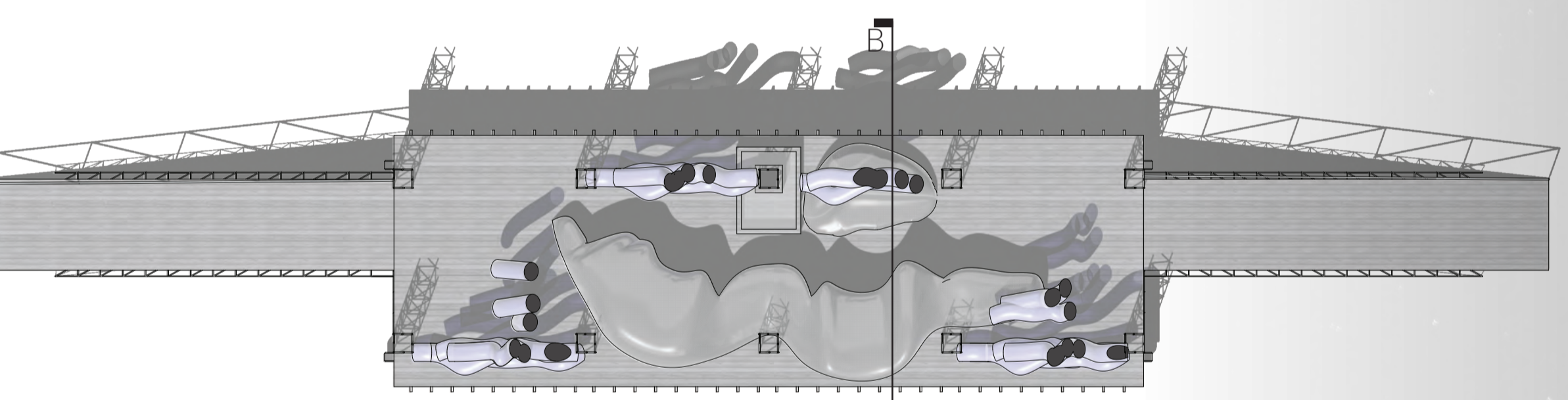
High Precipitation



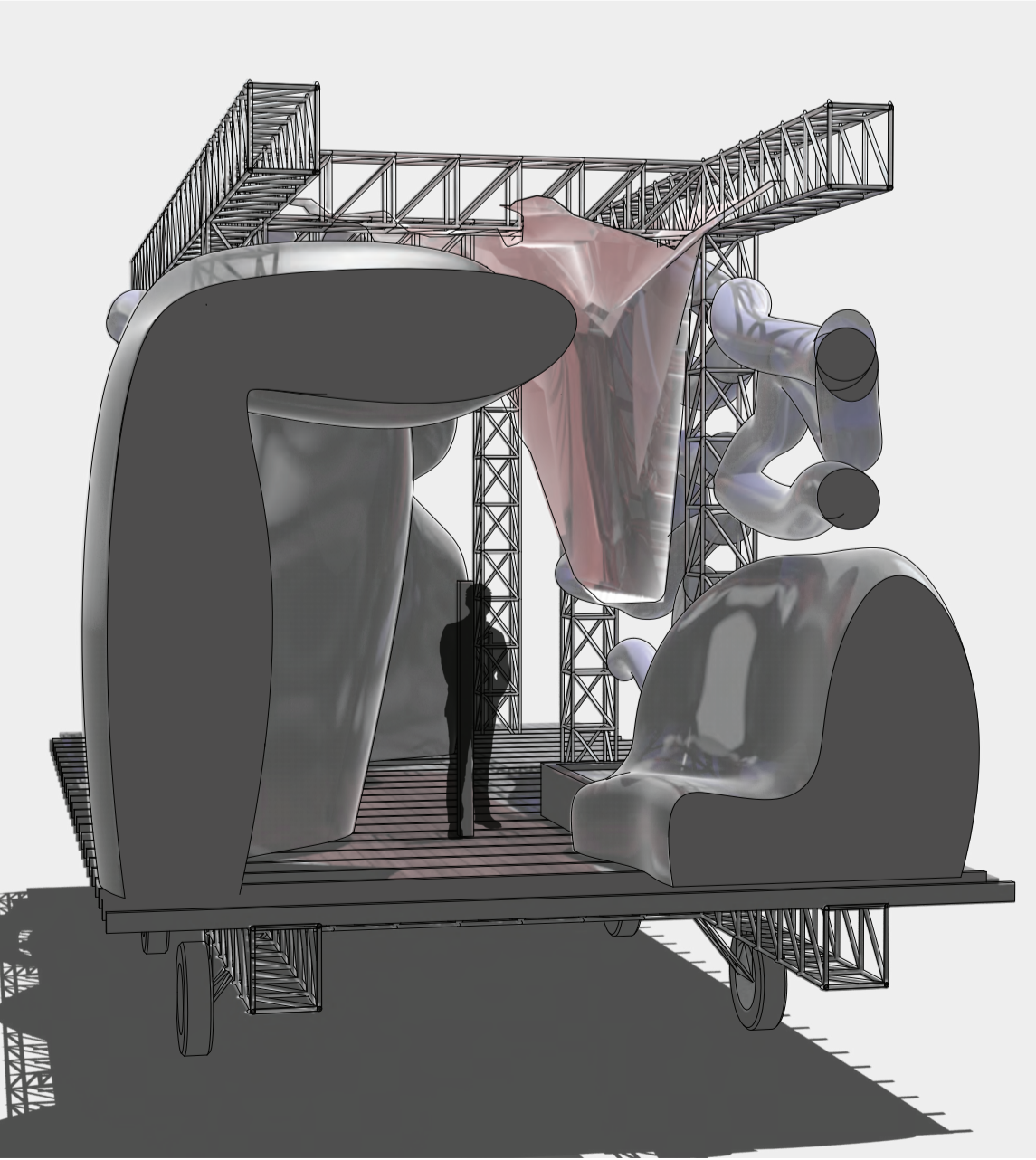
Low Precipitation



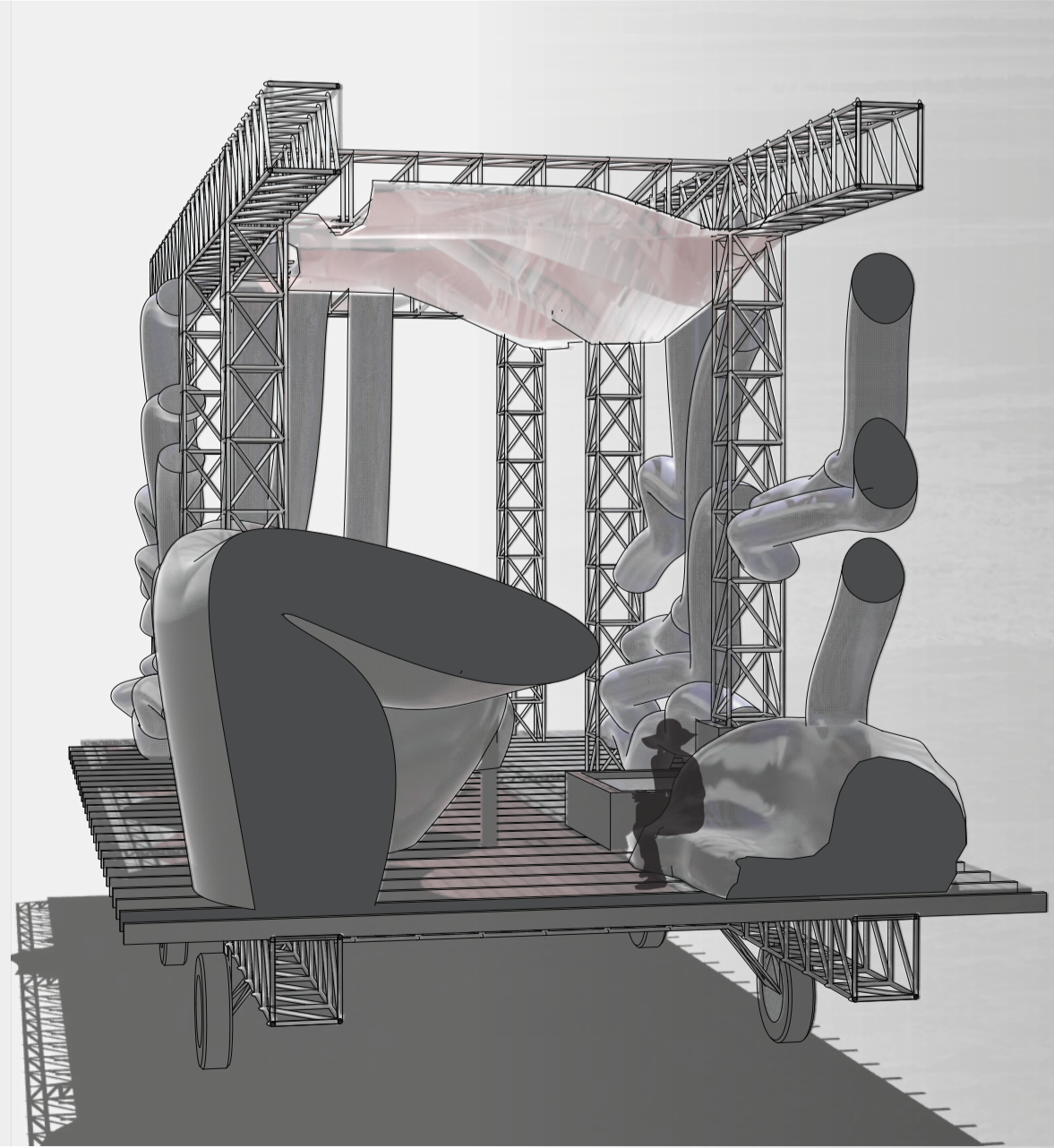
Fully Active Floorplan



Fully Inactive Floorplan



Fully Active Section [AA]



Fully Inactive Section [BB]

