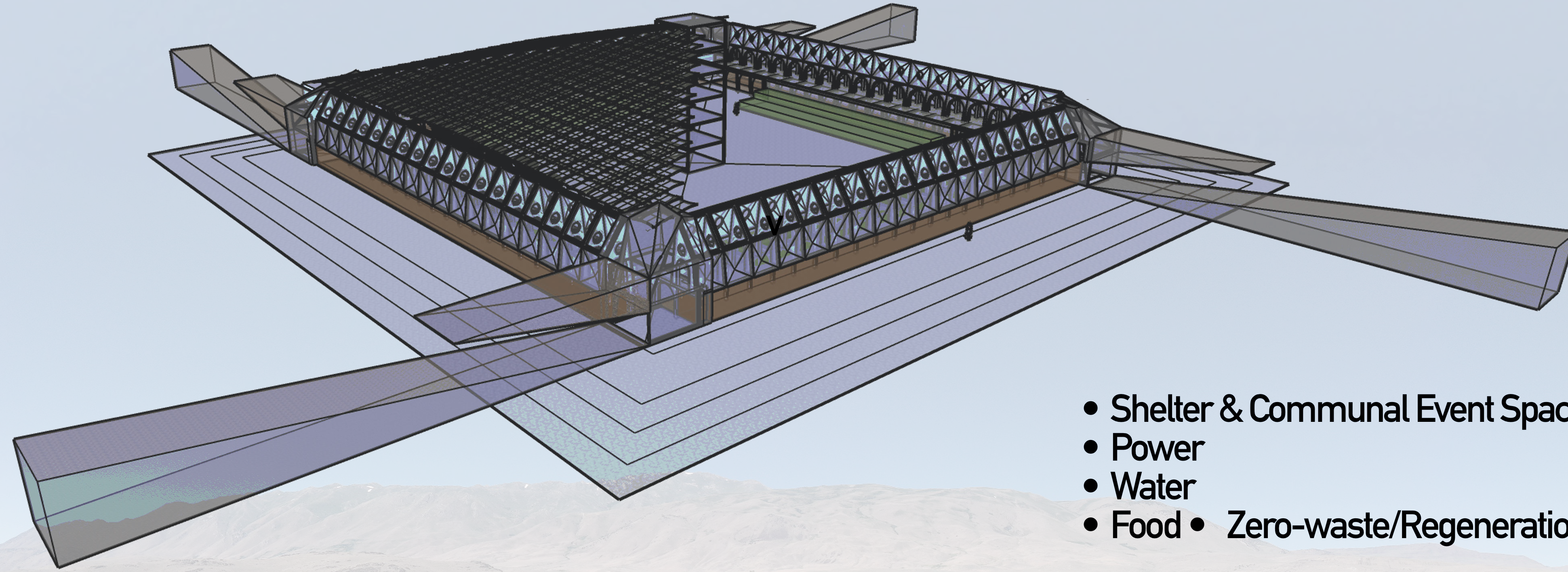
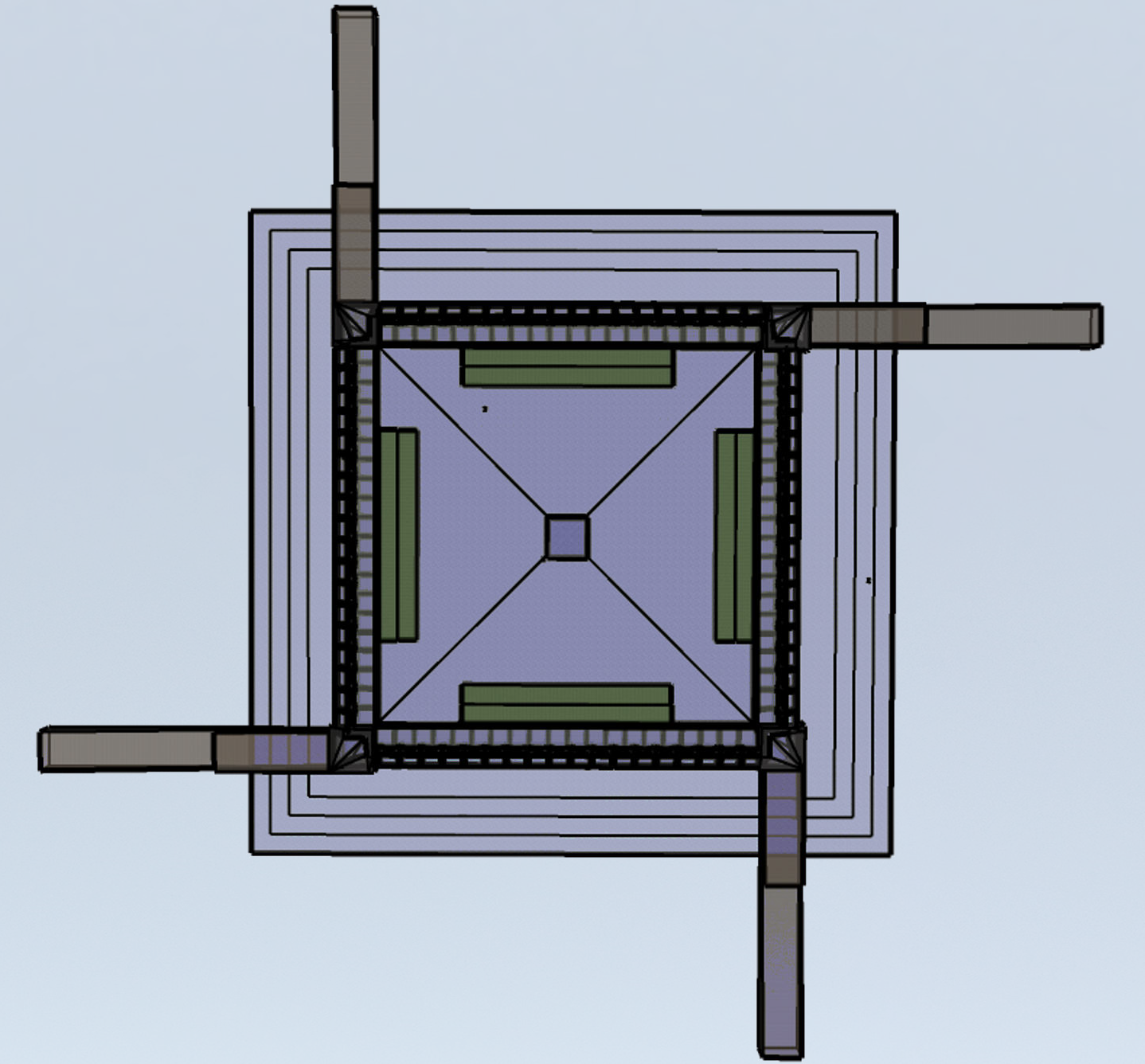


METAHAVEN

The story of Metahaven begins with a site and a vision of the future, imagining a scalable modular nanoclimate system.



- Shelter & Communal Event Space
- Power
- Water
- Food • Zero-waste/Regeneration.



The outer perimeter of Metahaven is approximately 72 M per side, for roughly 5000 square meters of enclosed space, not including the egress tunnels. The Grandyard and base level is 6 Meters below grade, and while the central tower is approximately 15m (or 5 stories), because of the inset, the peak is only 6m above ground level, keeping a low profile in conjunction with the site.vv

By gathering radiant energy and storing and circulating it within the structure, Metahaven's interior will have a marked moderation of Fly Ranch's seasonal extremes, with Earth's thermal flywheel effect providing degrees of cooling in the summer and heating in the winter.

A layered louver arrangement of interconnected solar sail shades is suspended from a central tower and connected by proprietary kinetic harvesters which convert the constant minute vibrations between each sail caused by the constant wind into small amounts of energy.

