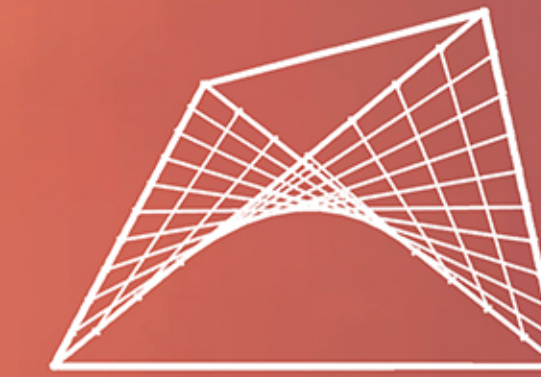


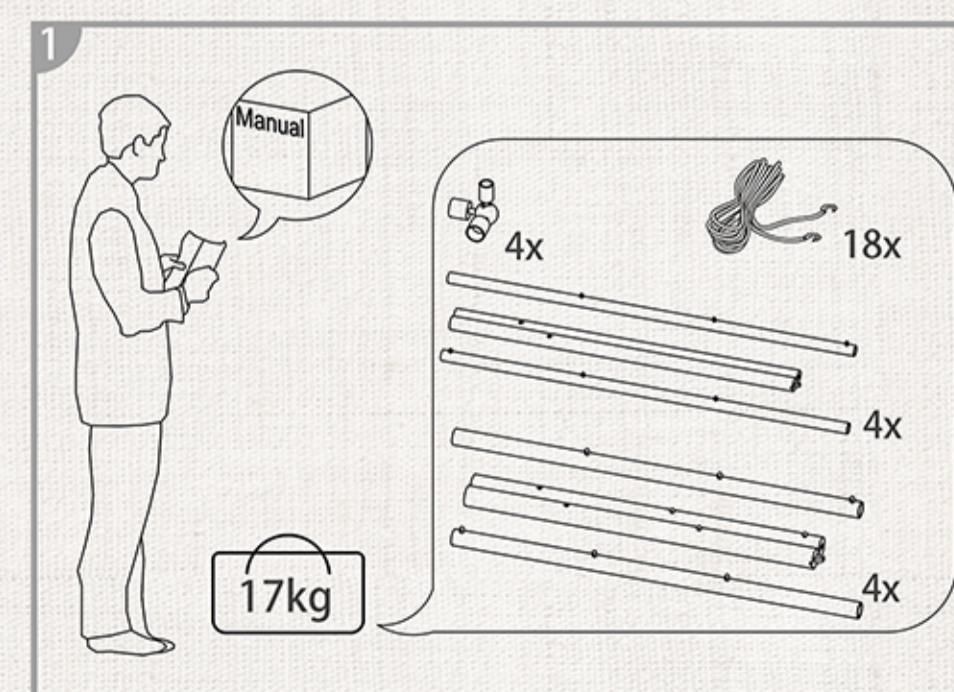
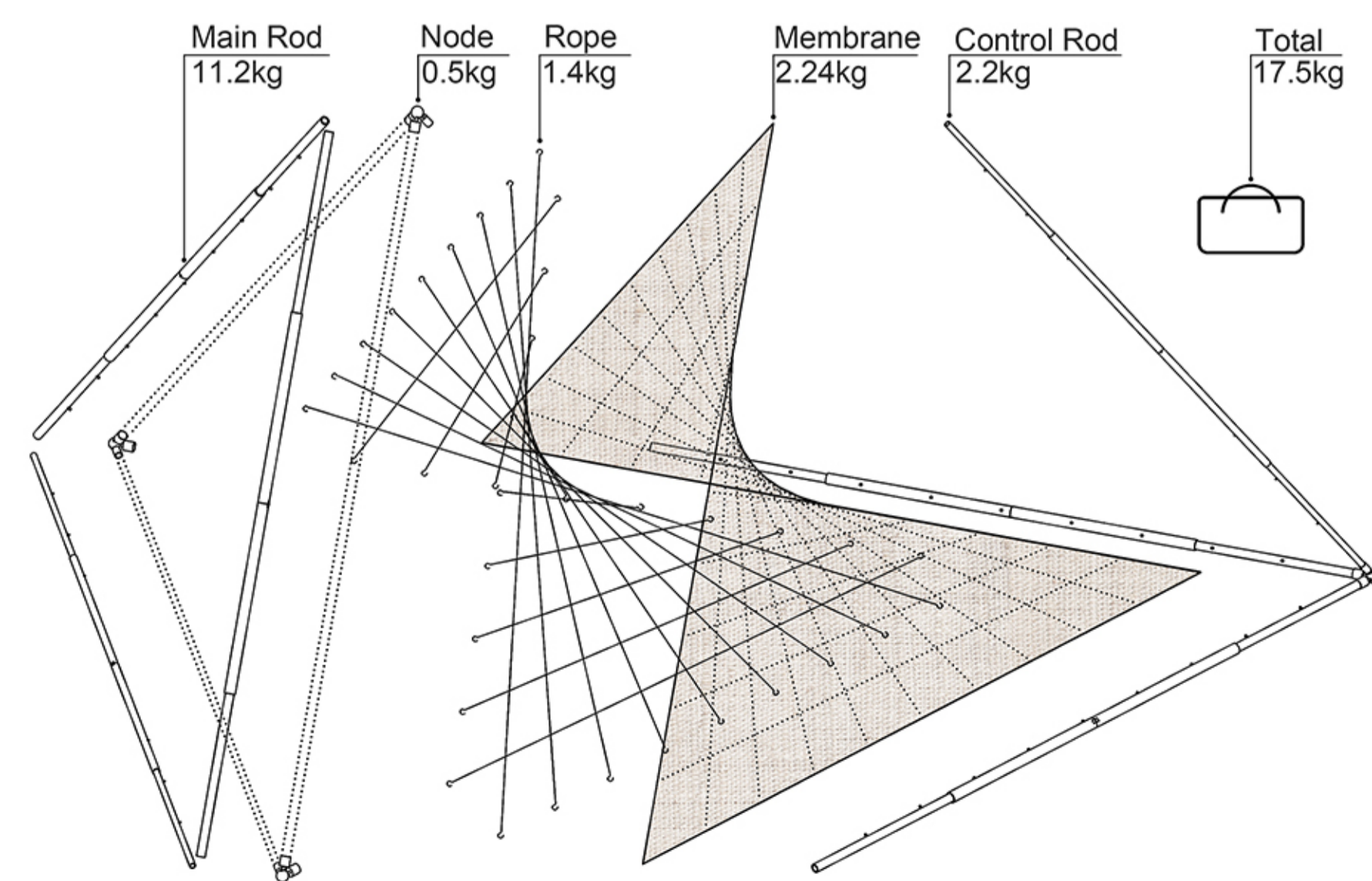
MAGIC BAG



Cooperate and build shelters with your bag.

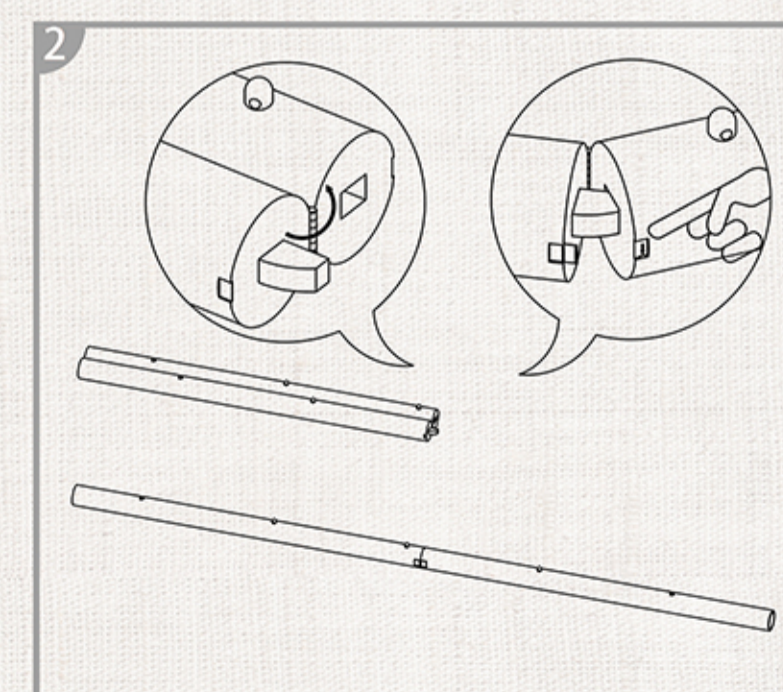


The design inspiration comes from the eagle in Indian culture. We transform the eagle's flying posture into a flexible and deformable unit. All the parts needed to build a unit can be packed into a bag and carried everywhere. We provide the bags to people so that they can exert their creativity and participate in the construction of the Burning Man community together, which also embodies the principle of Burning Man.



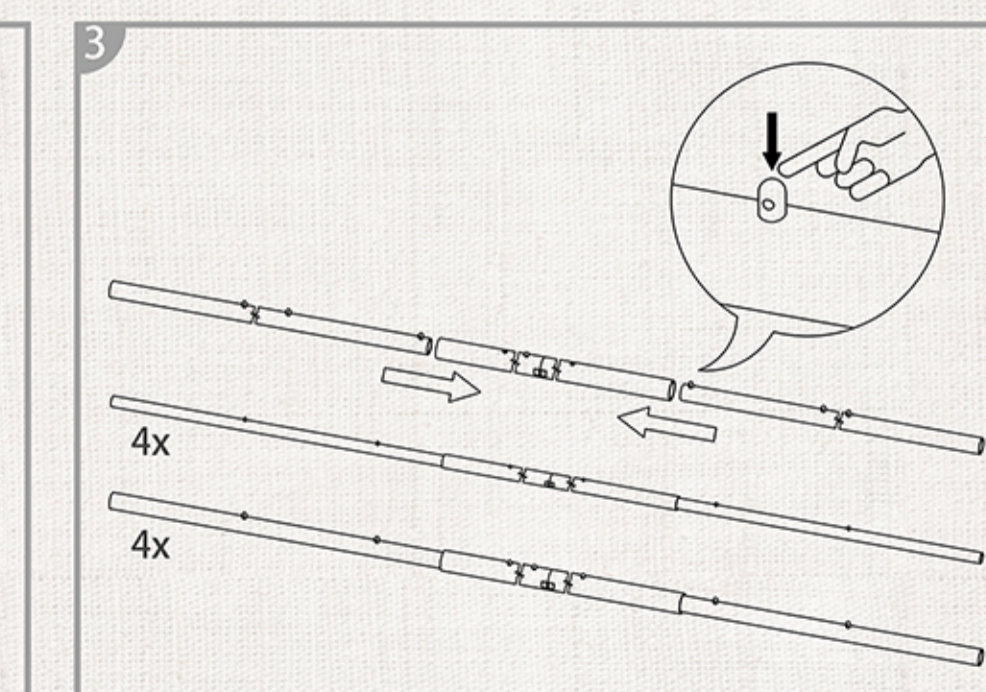
Get Bag

When we reach Fly Ranch, we can get a bag. The whole bag weighs only 17 kilograms and easy to carry. The bag contains all the parts to build a single shelter, including structural rods, elastic ropes, and membranes, and an installation instruction. According to the instructions, we can build a daytime shelter and cooperate to overnight.



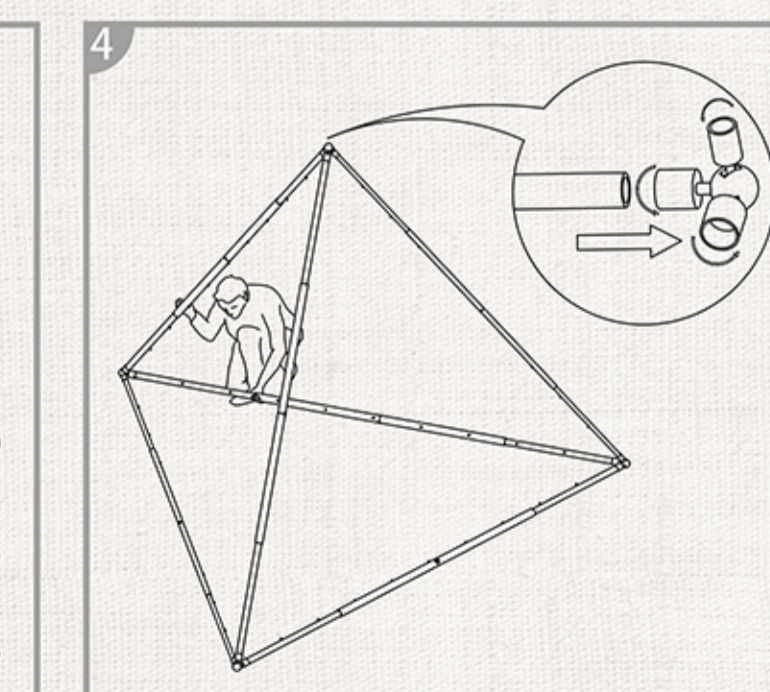
Turn Over

The first step in the construction is to prepare the structural rod and control rod. In order to make the bag easy to carry, the pole consists of three parts. We can fold the middle rod and fasten it so that part of the middle becomes one, with tenon to increase the integrity.



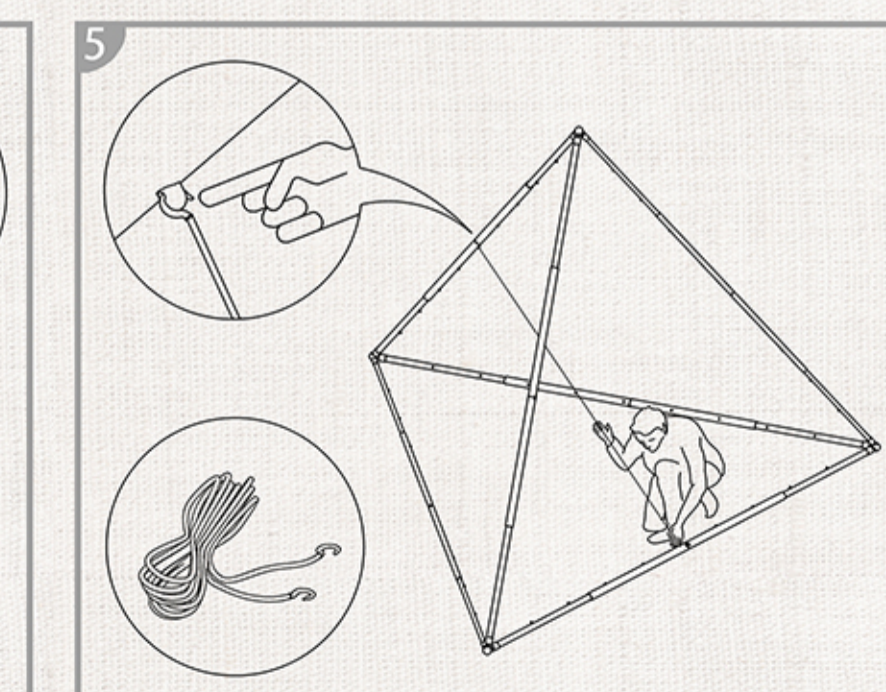
Plug In

After finishing the middle part, we insert two thinner rods into the middle section to obtain complete rods. When we want to insert, we need to press the spring node on the thin rod. By inserting, the spring node is aligned with the small hole. We can also adjust the length of by combining the nodes with different small holes.



Insert Connector

After preparing four structural rods and two control rods, we have to insert all prepared rods into the connectors, which can adjust the angle between the rods. These connectors and retractable poles make it possible to obtain different unit forms.



Elastic Rope

After completing the entire structural frame, we need to install the elastic rope. These ropes have excellent elasticity and high elastic modulus. To facilitate installation, hooks are pre-installed at both ends of the elastic rope. We only need to hook them to the small holes reserved on nodes.