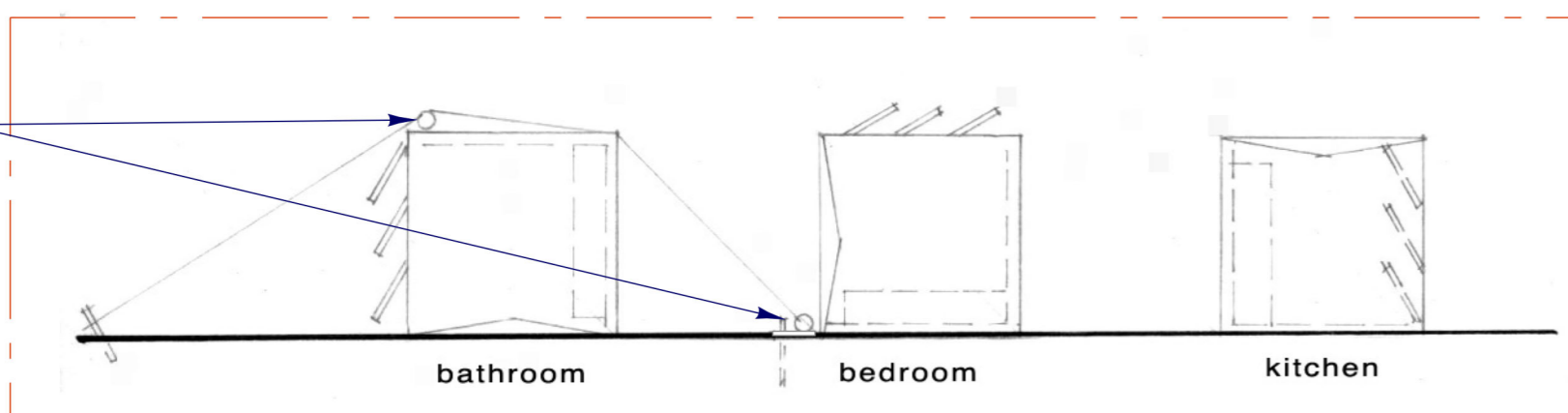
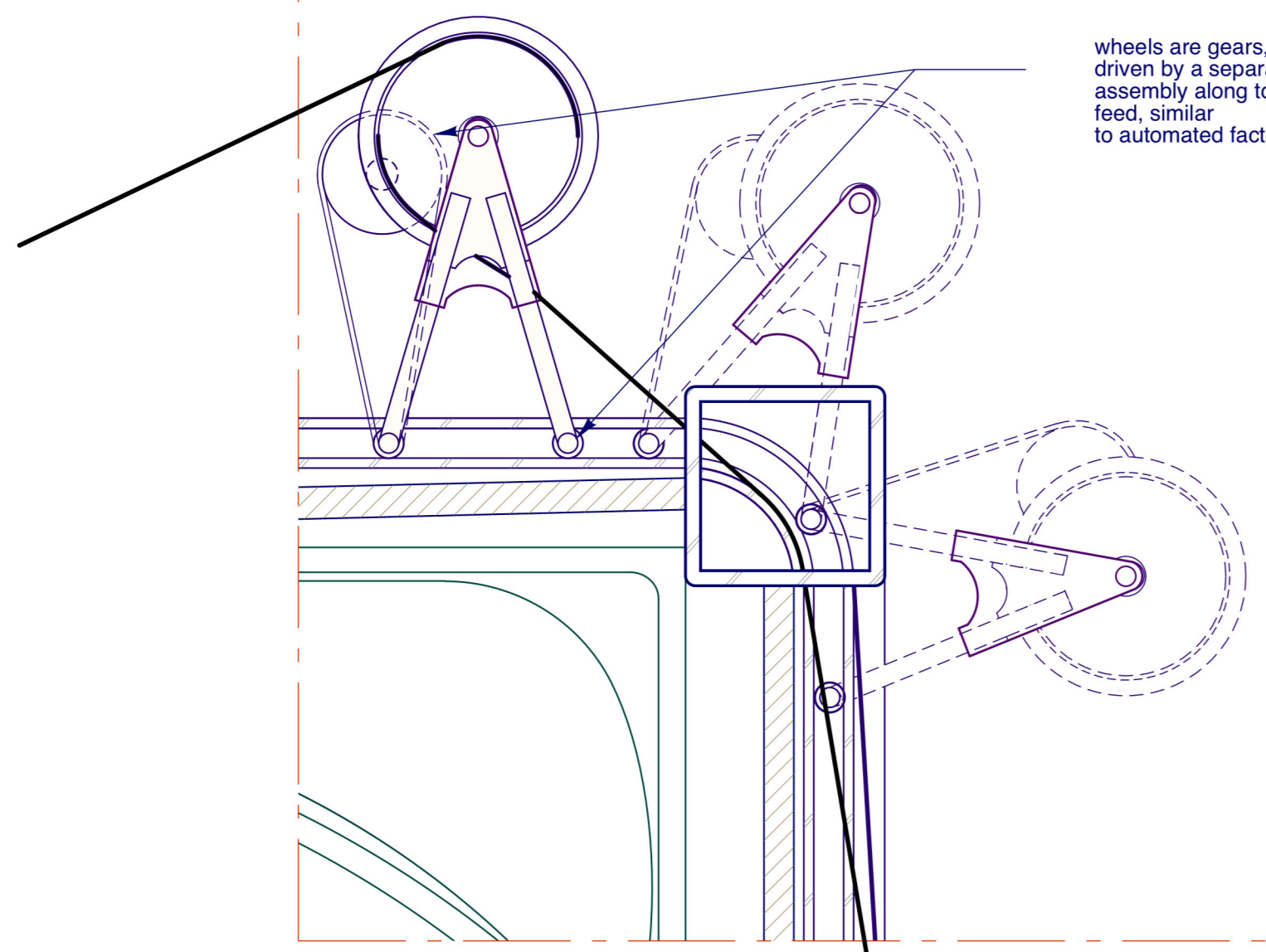


NOTE: detail illustrates a potential integrated winch system capable of tipping/reorienting modules without manually relocating winches & cables. modules can also be tipped using (2) external winches relocated by hand.



wheels are gears, track is cogged, driven by a separate motor moving winch assembly along top rail independently of cable feed, similar to automated factory equipment.



Detail - corner@ travelling winch

outside of 5" tube steel frame is cut out at winch rail to facilitate rounding corner. two (2) corners require this treatment.

module footprint

- Tesla whole house batteries/ controllers charged by rooftop/ sidewall photovoltaic array (depending on Qube orientation.) batteries run winch, water pumps, DC marine appliances, lighting & radiant heating within floor/ wall panels
- external cable for vehicle charging
- external hose for filtered grey water irrigation
- drop down prep shelf at counter height w/ overnight RV toilet below (sleeping orientation)
- line of rooftop collection/ soaking tub
- wall/ floor panels = 1 1/8" structural plywood
- 5" tube steel outer frame construction

Floor Plan - kitchen

utility closet is accessed from outside in cooking or bathing configuration

vertical mattress strapped to sleeping platform/ utility

horizontal sliding doors become vertical sliding windows in other orientations

storage cabinets occupy every ancillary built in space. personal items are accommodated in bags strapped to surfaces which can move during tipping/ reorientation

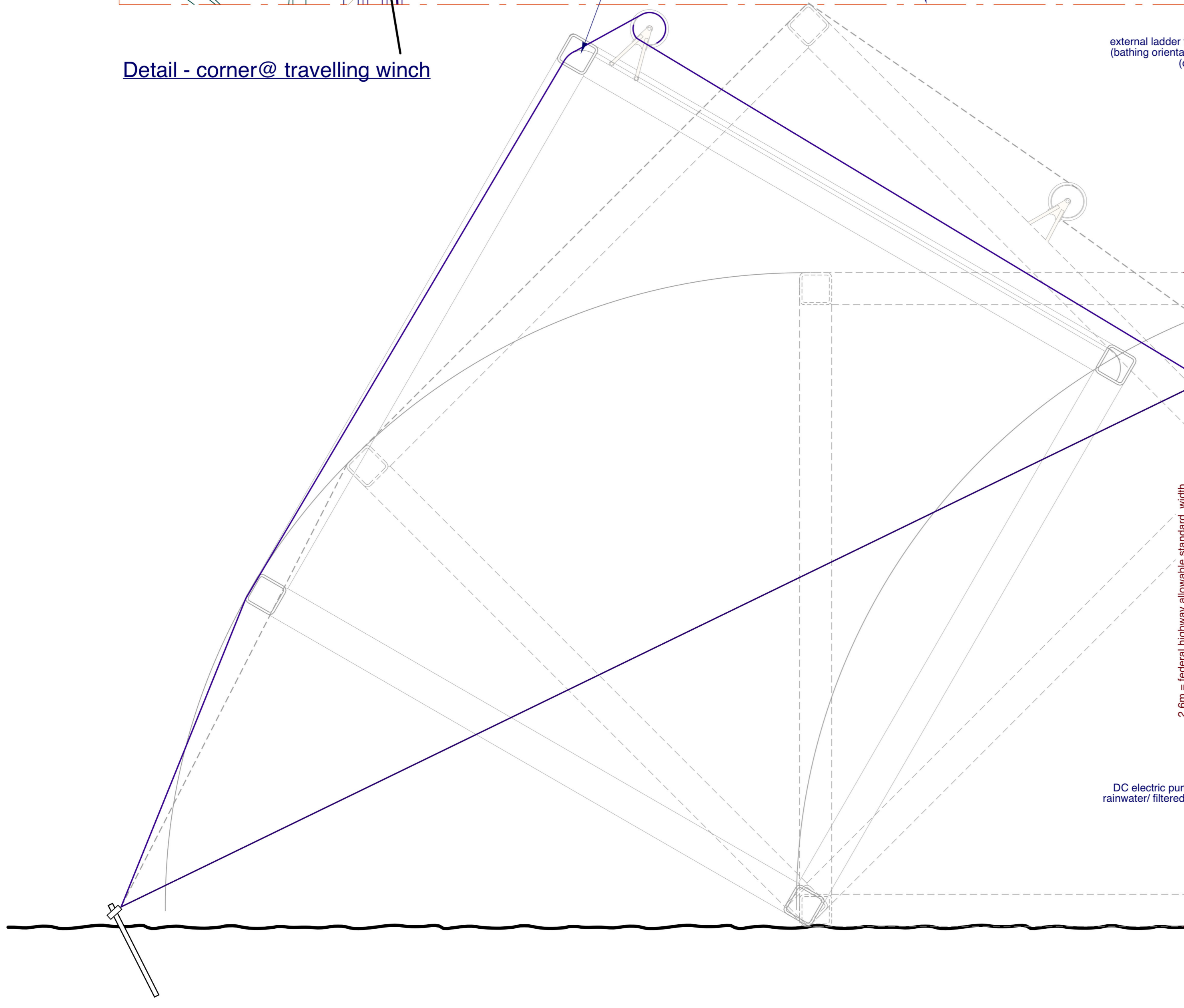
cooktop/ microwave cabinet

sink/ refrigerator cabinet

table is relocated to central courtyard prior to tipping/ re-orienting module, where it can be combine with other tables for private communal dining

vertical sliding window

line of interior tub above



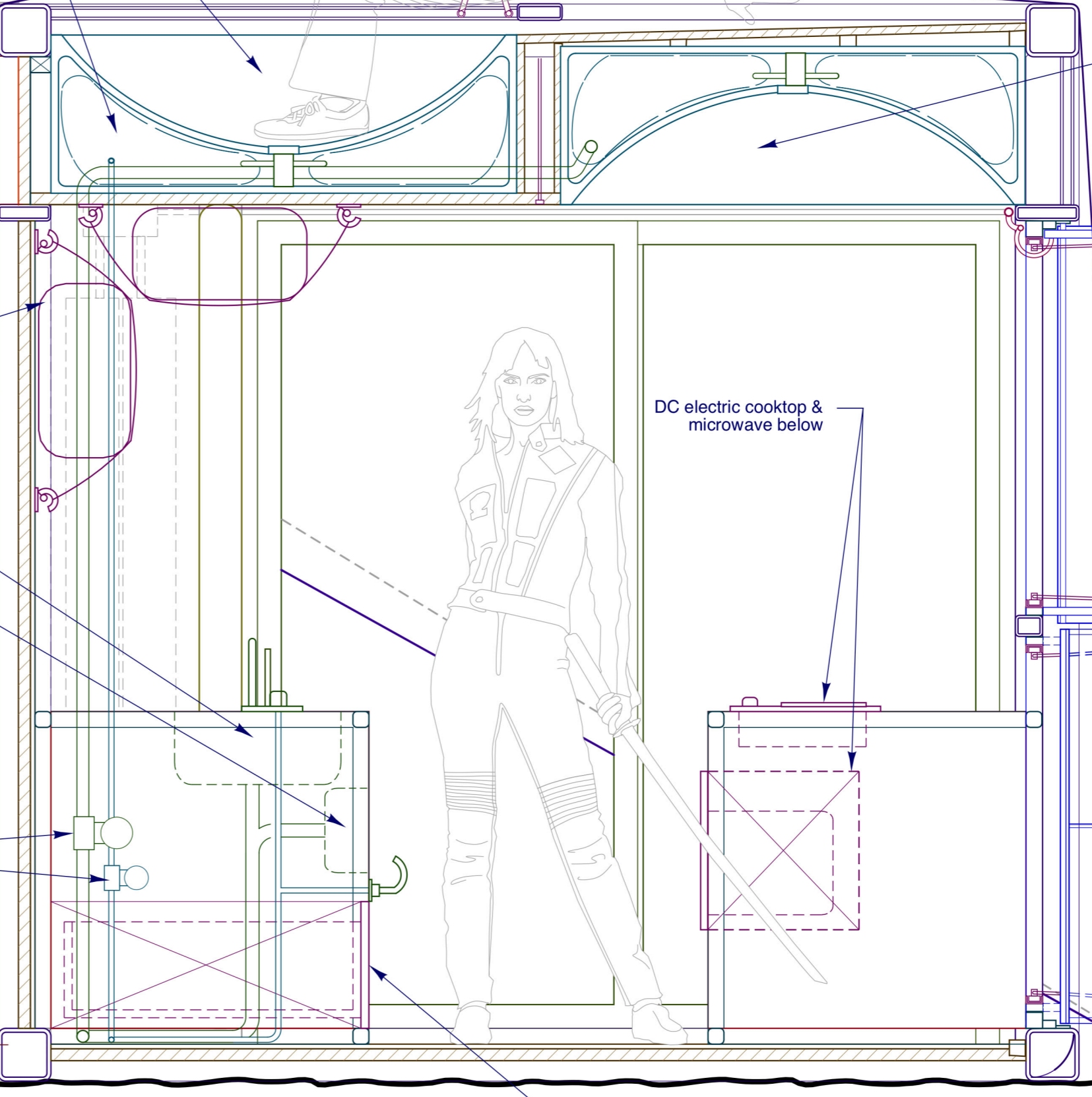
rainwater collection basin/ rooftop soaking tub (when filled with pumped hot spring water)

rainwater is pumped into expandable bladders to maximize storage potential when orientation is changed - (not a gravity system)

12V DC winch travels on track rail at foot of collection basin, retrieving & discharging cable to pivot Qube onto adjacent face (after securing PV panels, doors, appliances etc.)

indoor soaking tub is available when unit is tipped twice (to bathing orientation)

PV panels on solid substrate alternate hinging so they can maximize solar exposure regardless of orientation



Elevation - kitchen

personal items are strapped to surfaces

kitchen sink

overnight sink

DC electric cooktop & microwave below

DC electric pumps circulate potable rainwater/ filtered grey irrigation water

drawer style refrigerator - all appliances = marine/ sailboat type (tippable/ DC electric)

2.6m = federal highway allowable standard width

2m headroom

35.6cm

12.6cm