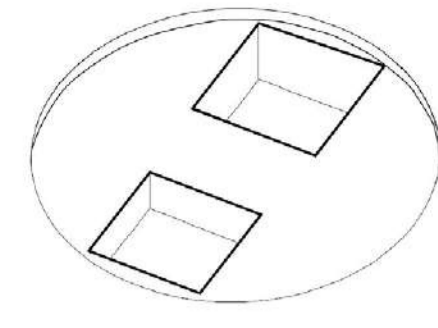




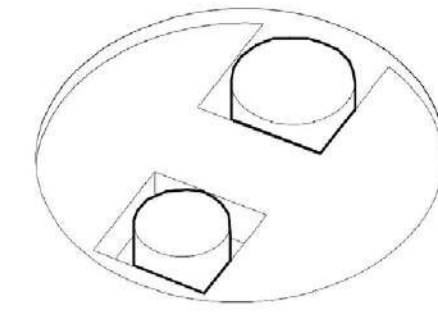
STEP 1



Foundation pit and storage of clean and dirty rainwater

Foundation pit

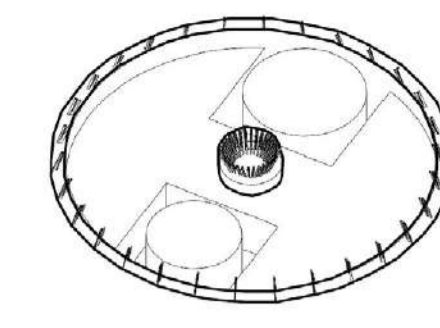
STEP 2



Laying and installation of water utilities

Tanks for clean and dirty water

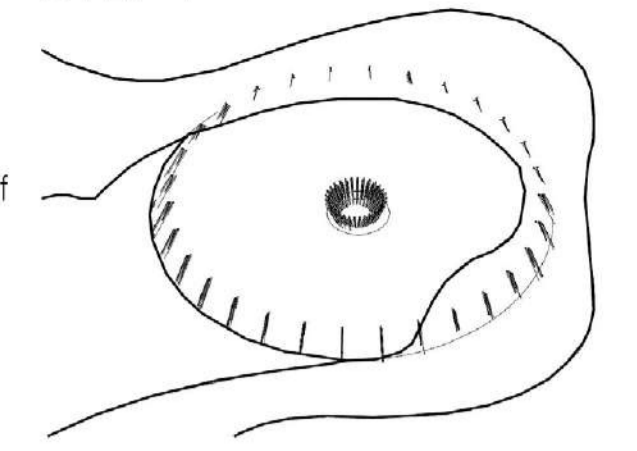
STEP 3



Filling the foundation of the structure

Foundation

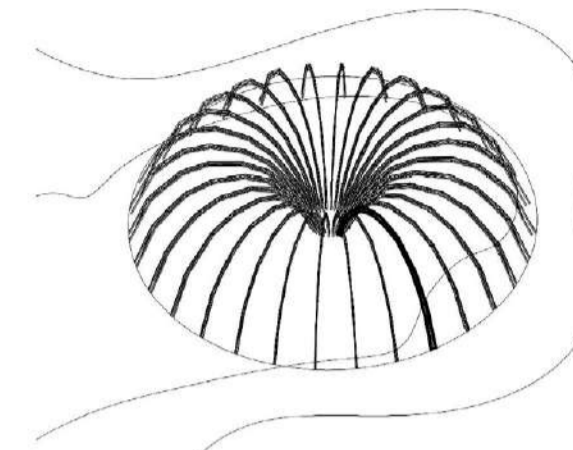
STEP 4



The organization of the operated coating with the installation of storm drains around the perimeter of the structure

Organization of coverage

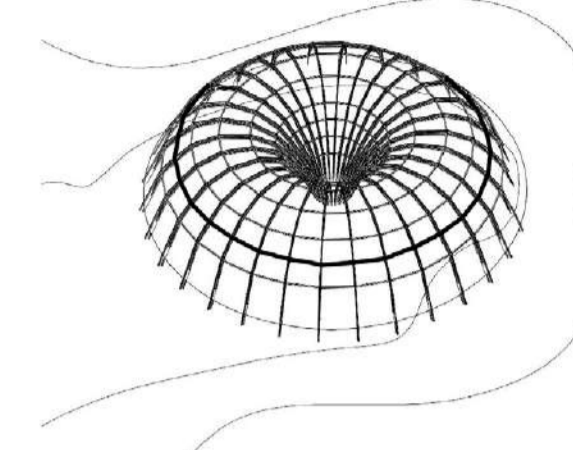
STEP 5



Assembly and installation of the vertical frame

Frame

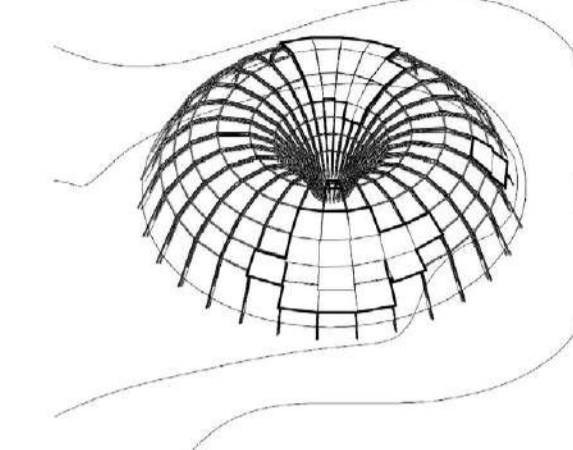
STEP 6



Assembly and installation of the horizontal frame

Frame

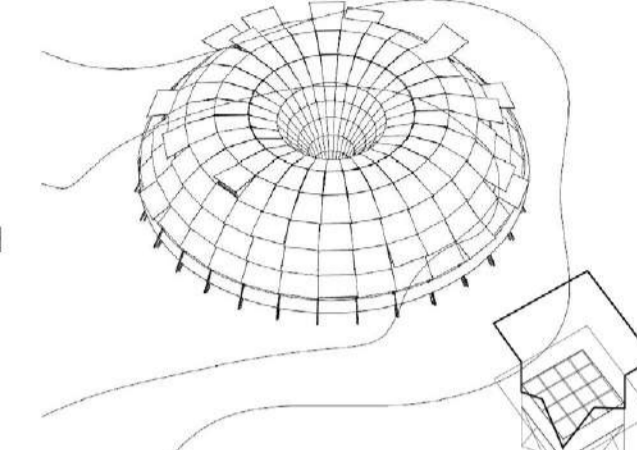
STEP 7



Installation and installation of electric of solar panels, translucent panels and composite panels

Panels

STEP 8



Installing batteries on independent structures and connecting them to the station.

Final result

