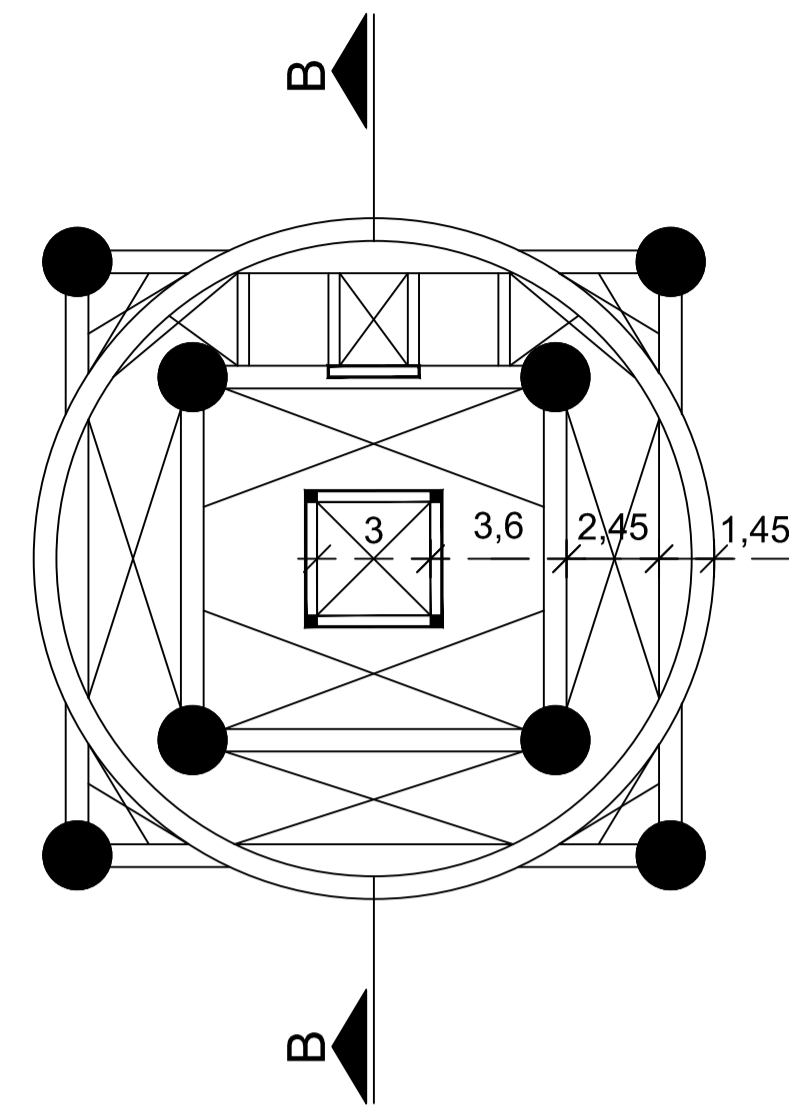
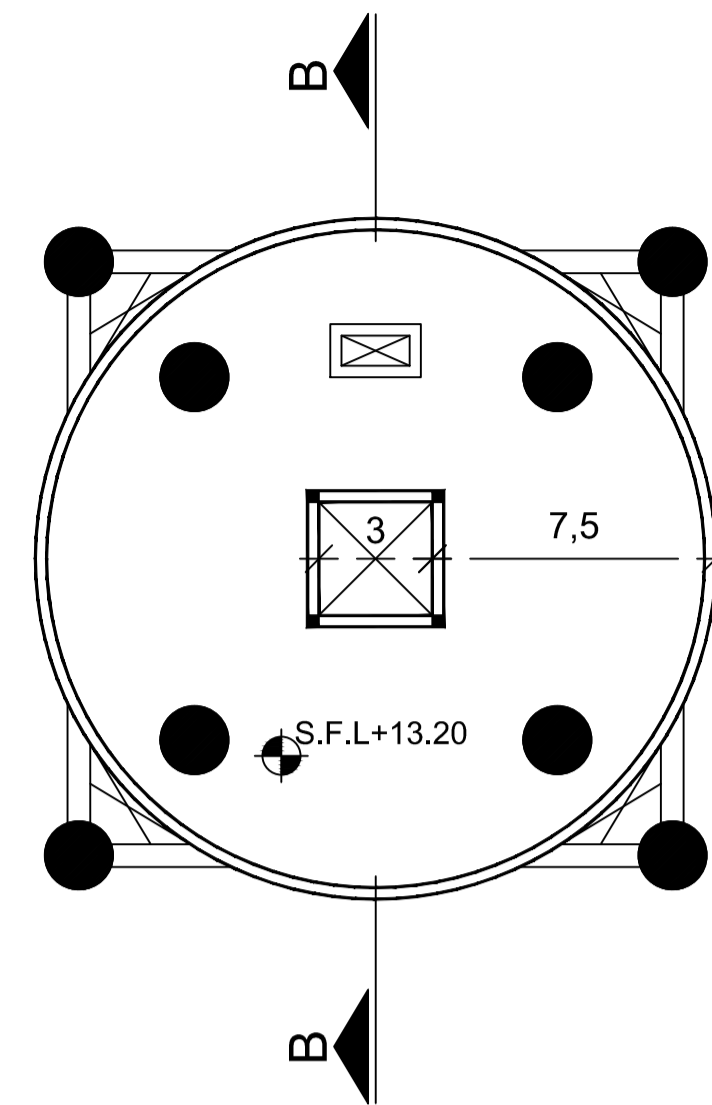


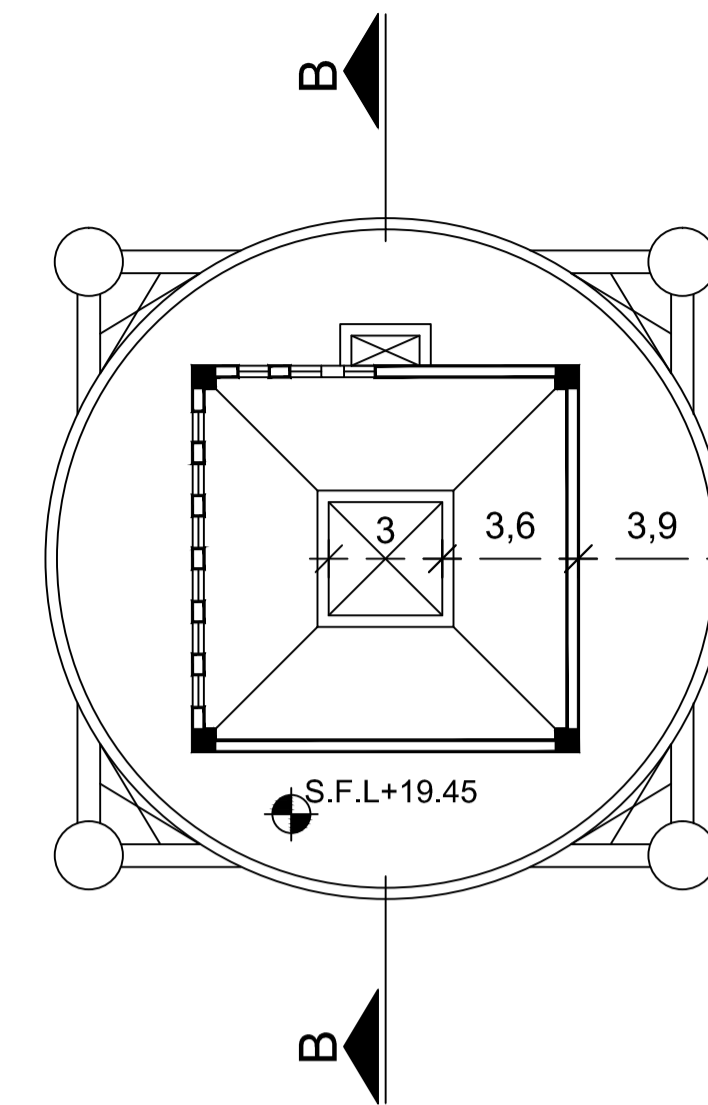
GROUND LEVEL PLAN
SCALE 1:200



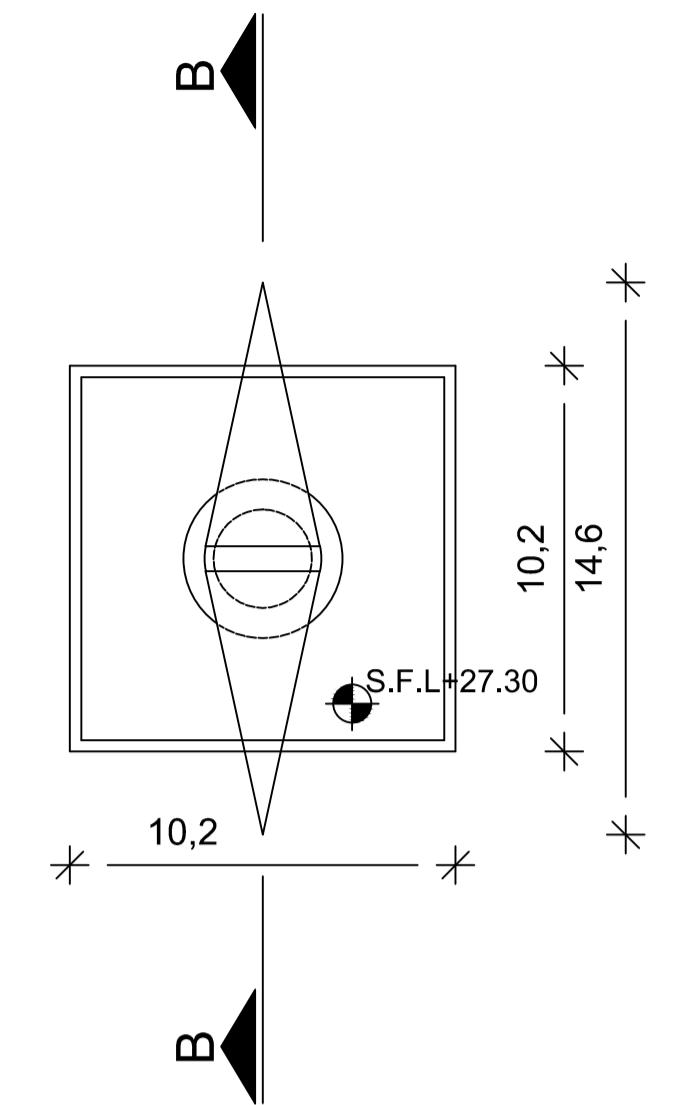
FIRST LEVEL PLAN
SCALE 1:200



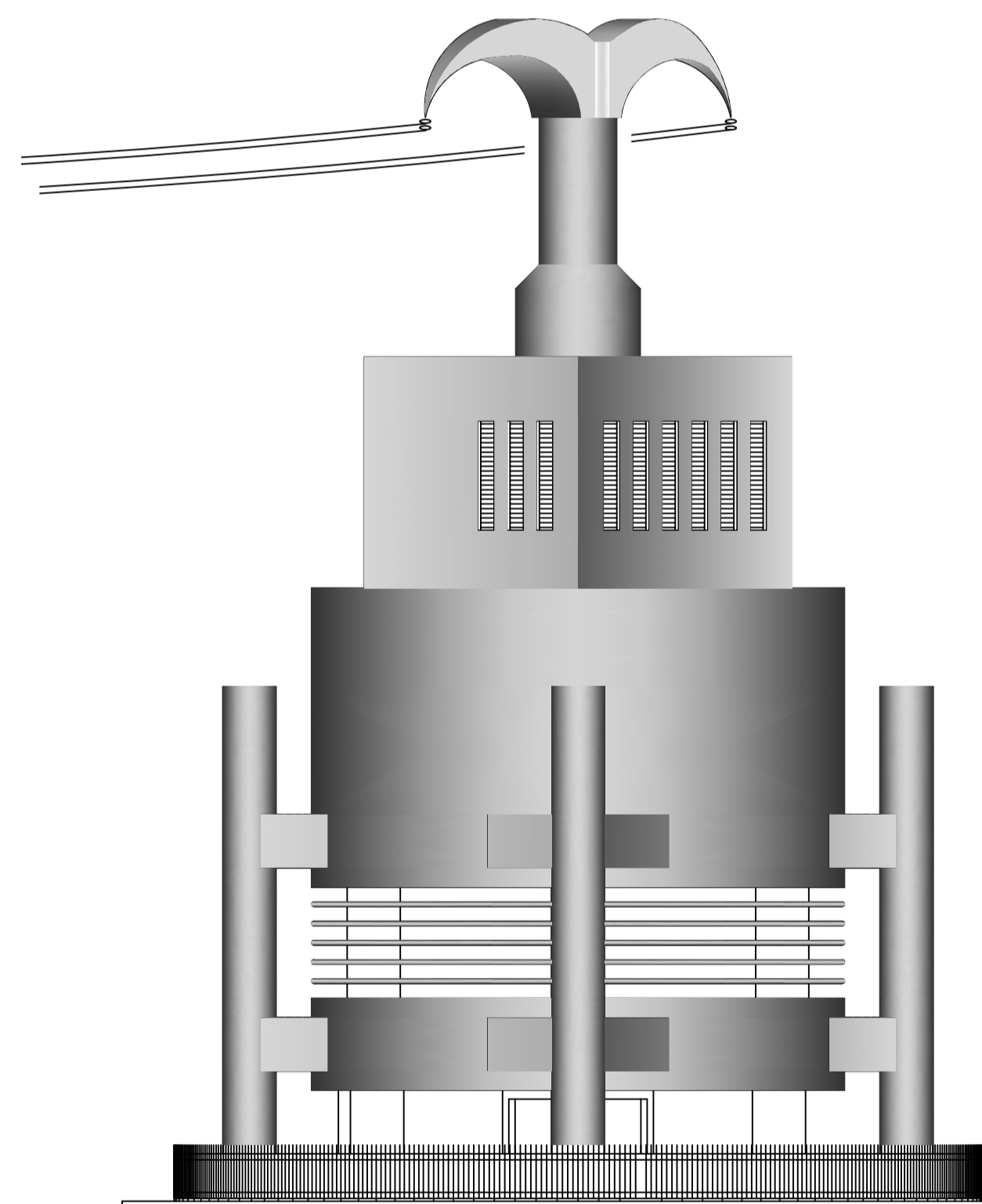
SECOND LEVEL PLAN
SCALE 1:200



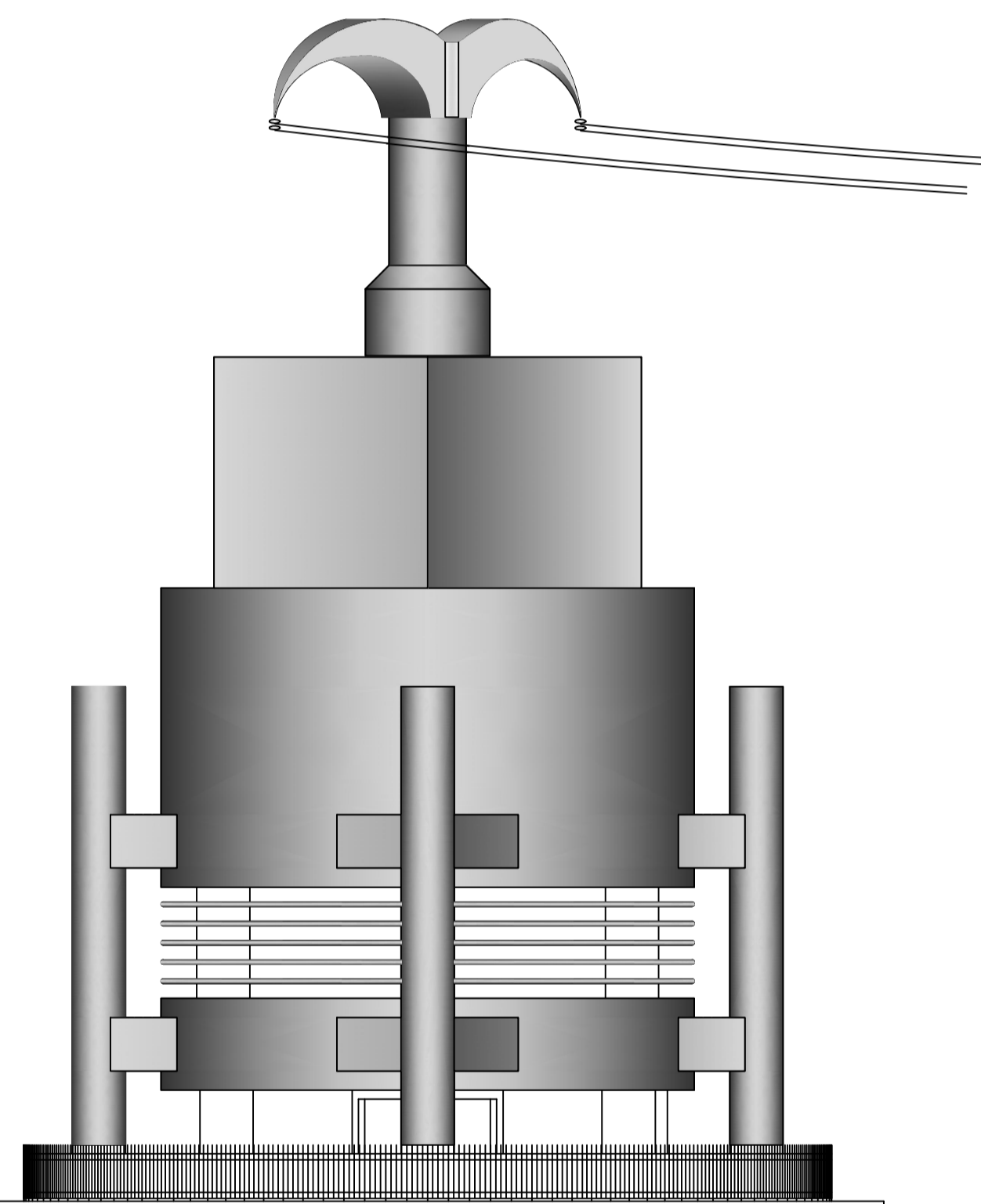
THIRD LEVEL PLAN
SCALE 1:200



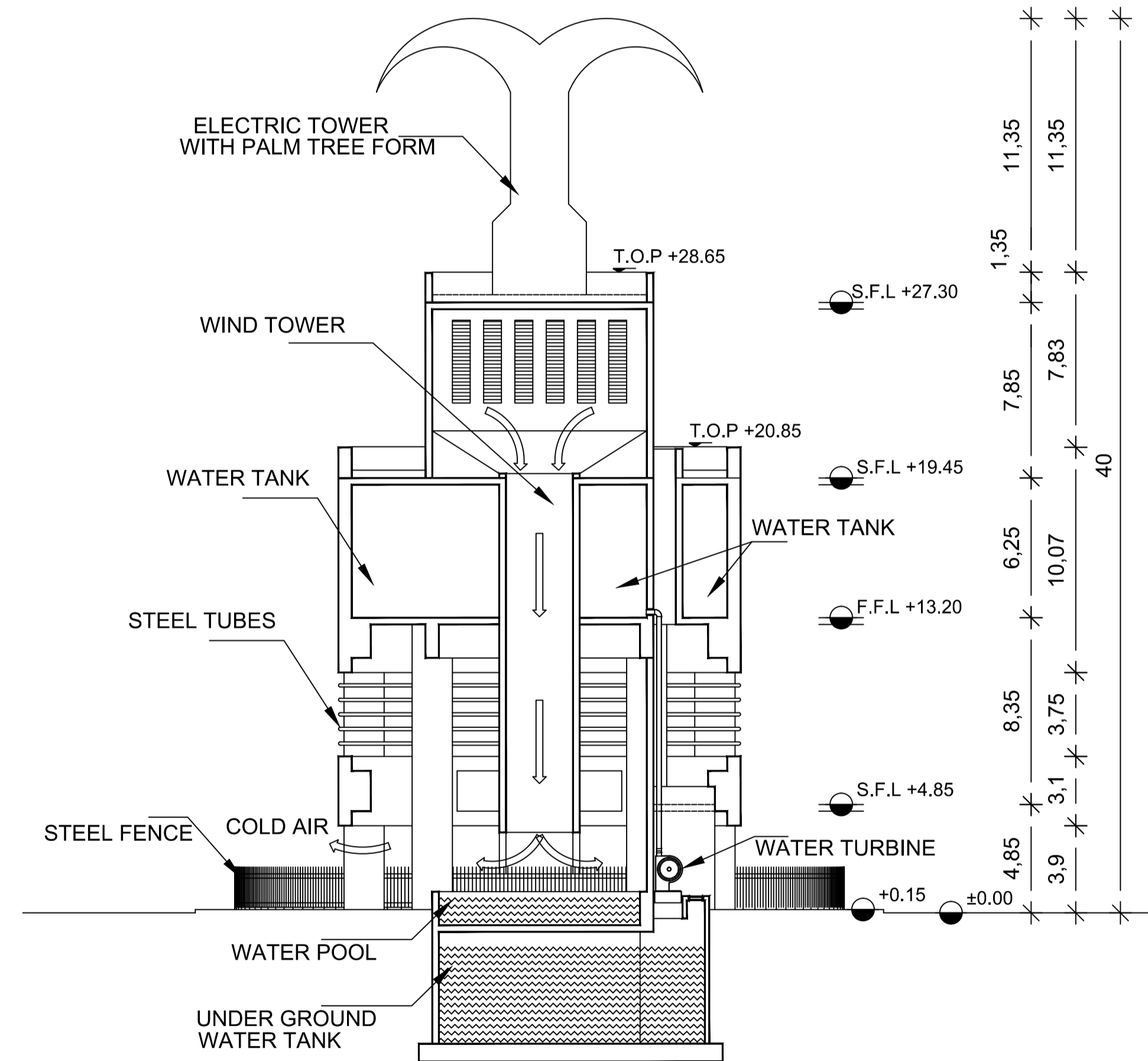
ROOF LEVEL PLAN
SCALE 1:200



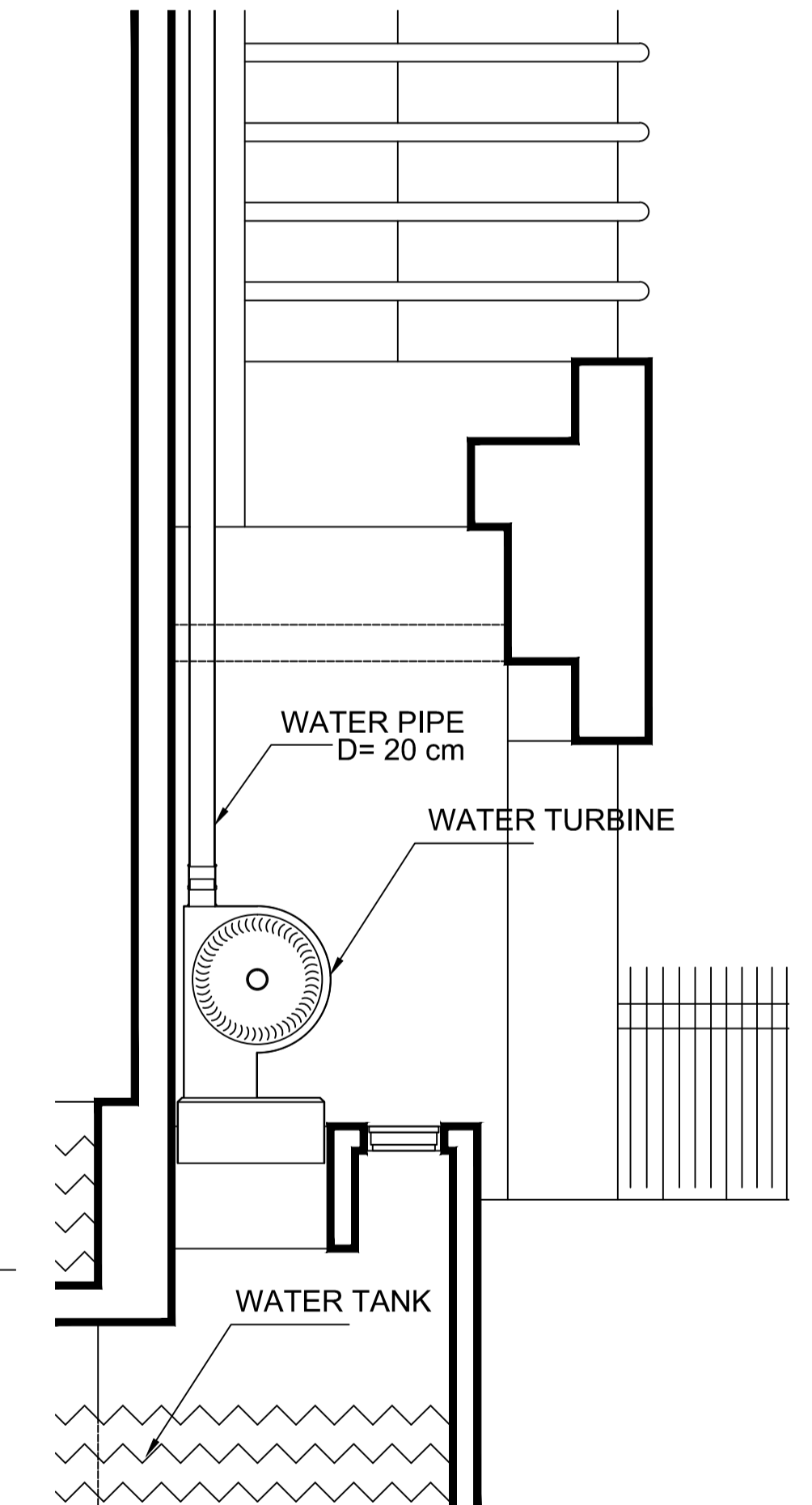
NORTH ELEVATION
SCALE 1:200



SOUTH ELEVATION
SCALE 1:200



SECTION B-B
SCALE 1:200



WATER TURBINE DETAIL
SCALE 1:200

LAGI 2019 ABUDHABI

ZONE (G-21) BUILDING DETAILS
USING HYDROPOWER AS AN ENERGY SAVING

PROJECT NAME :
MASDAR LAND ART
FOR RENEWABLE ENERGY

