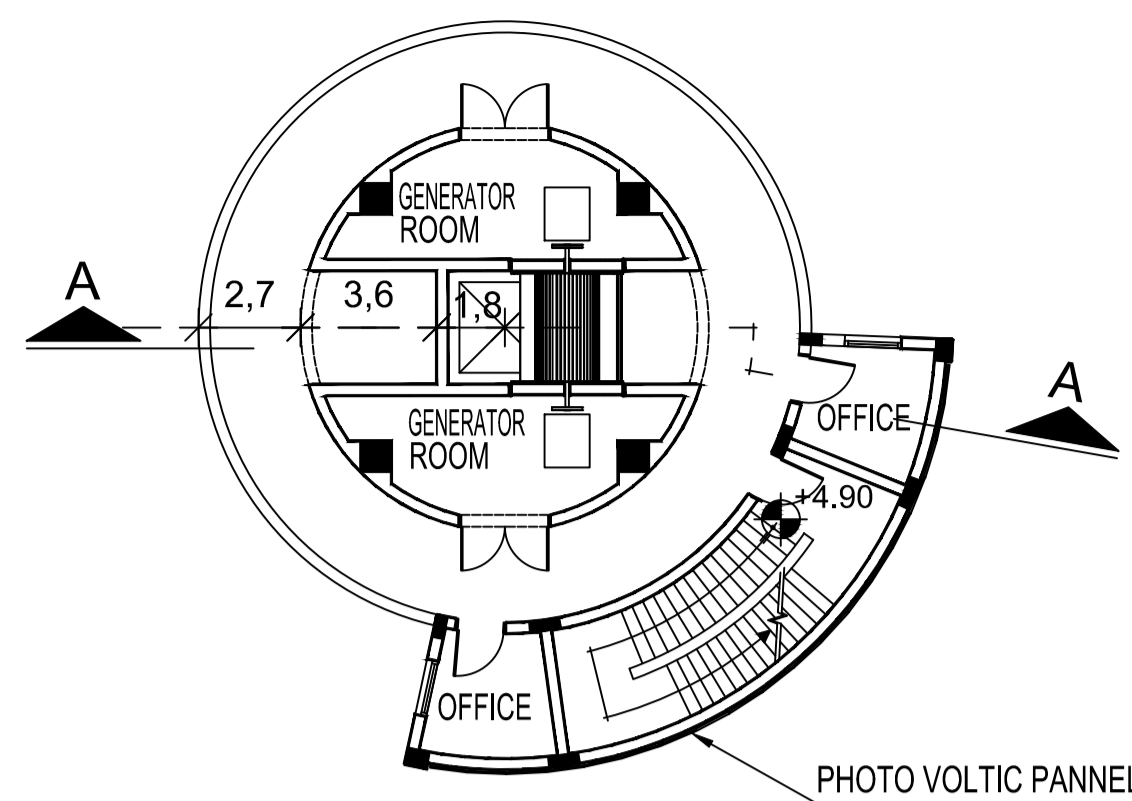
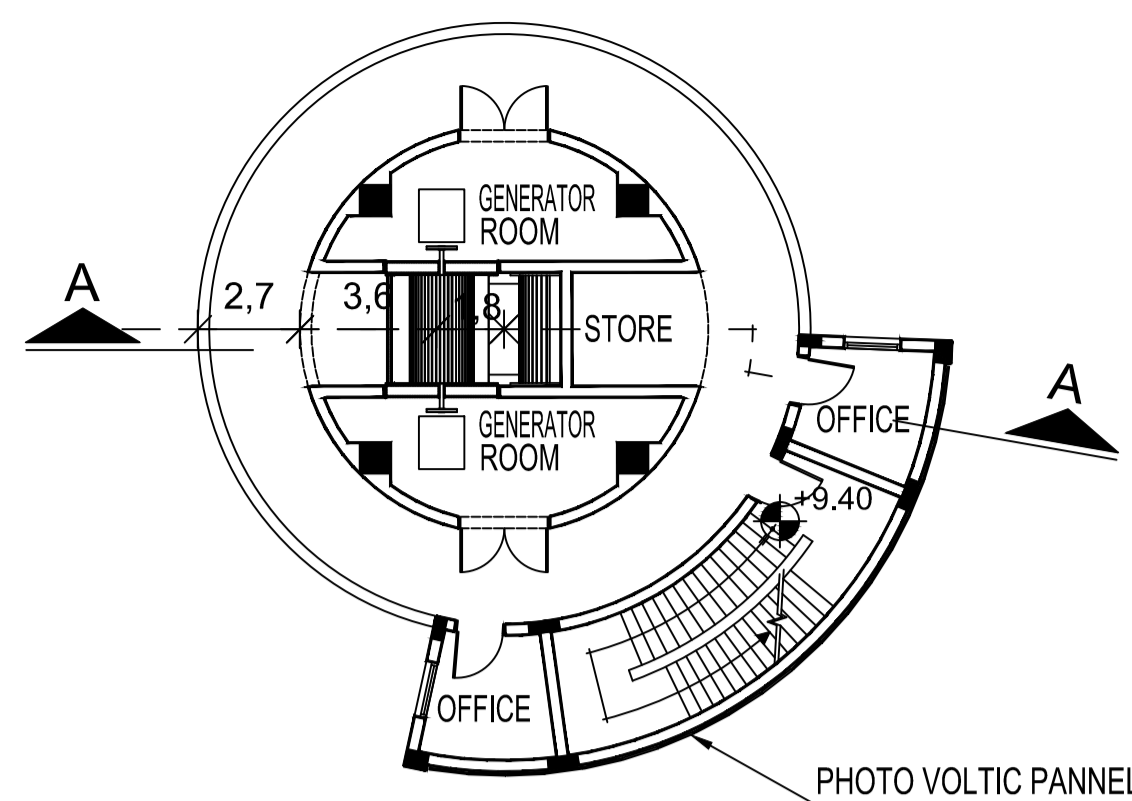


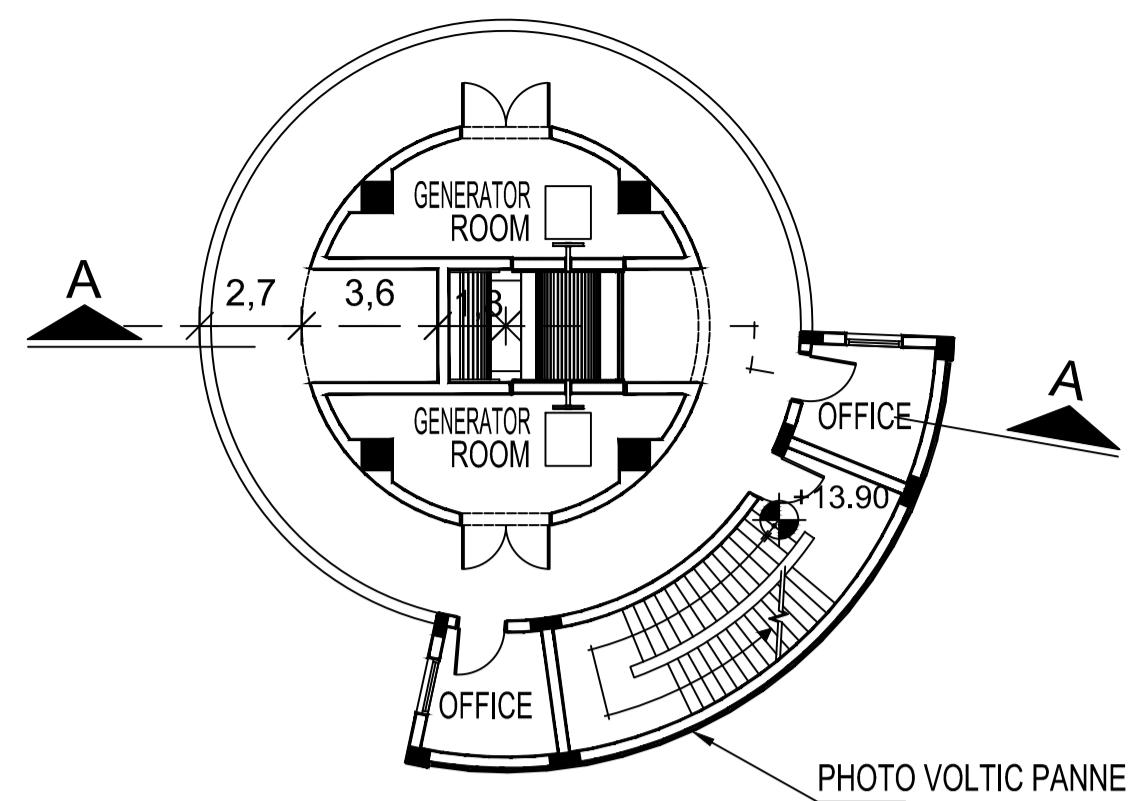
GROUND LEVEL PLAN
SCALE 1:200



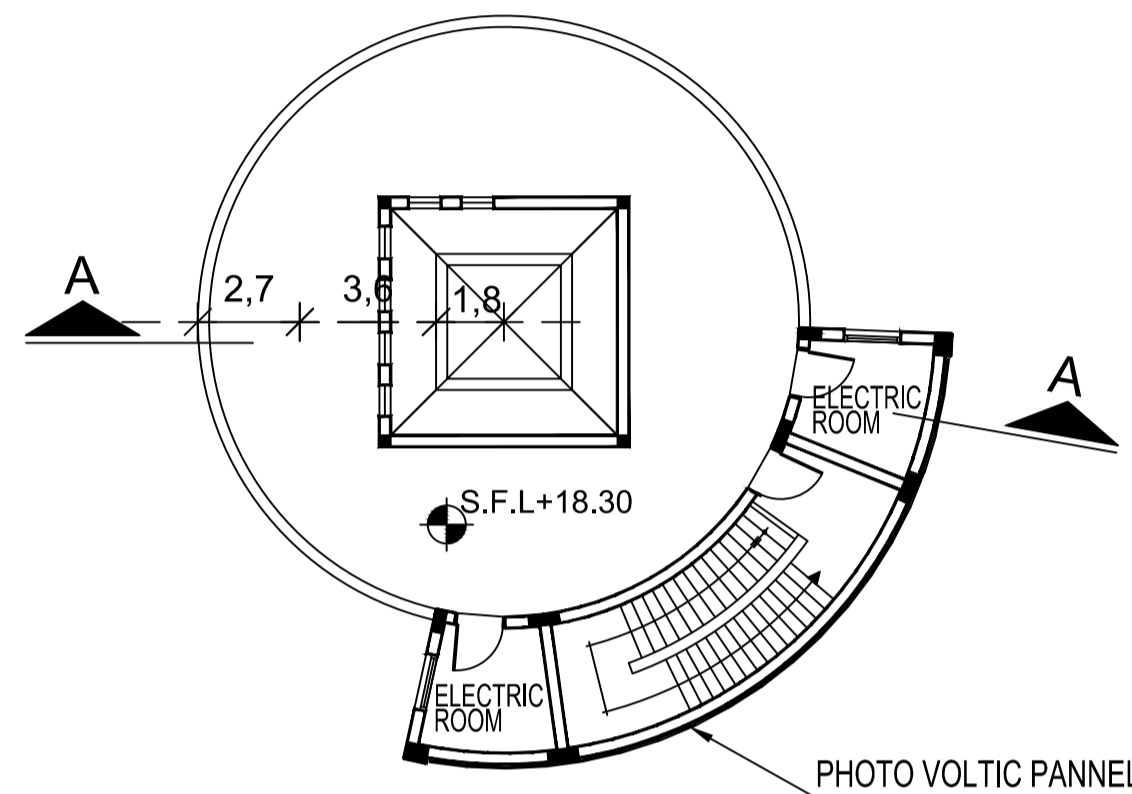
FIRST LEVEL PLAN
SCALE 1:200



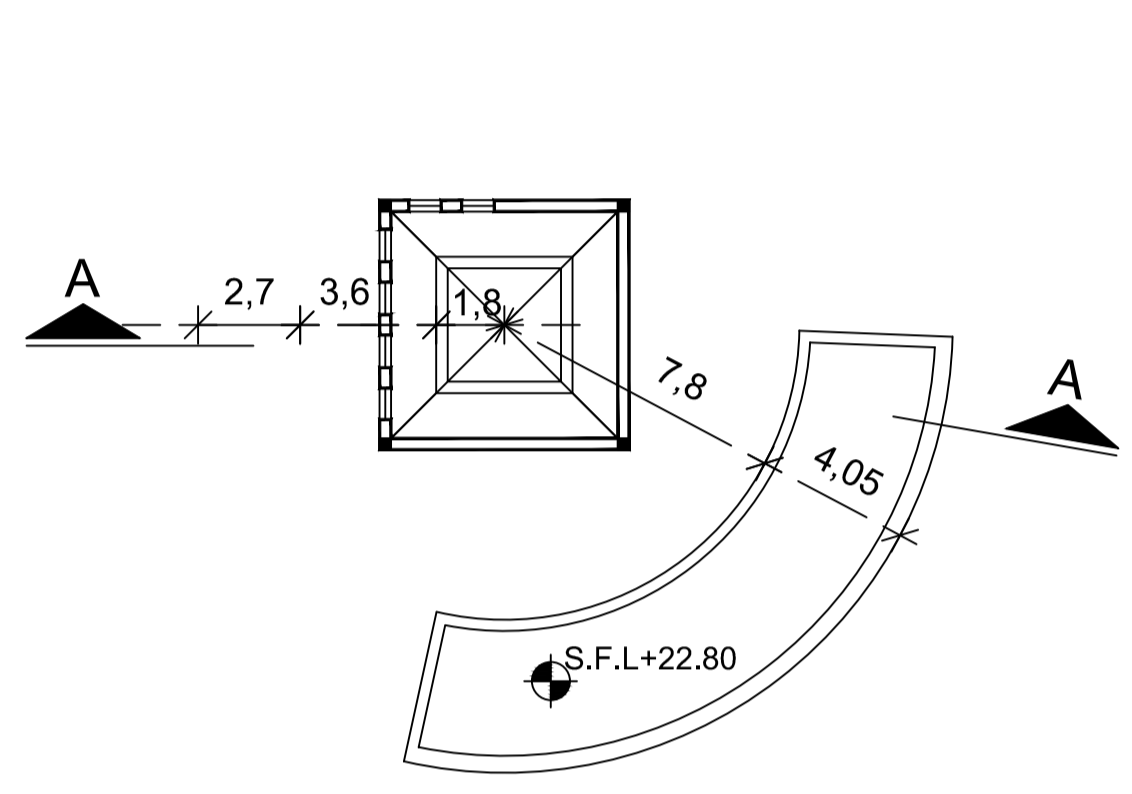
SECOND LEVEL PLAN
SCALE 1:200



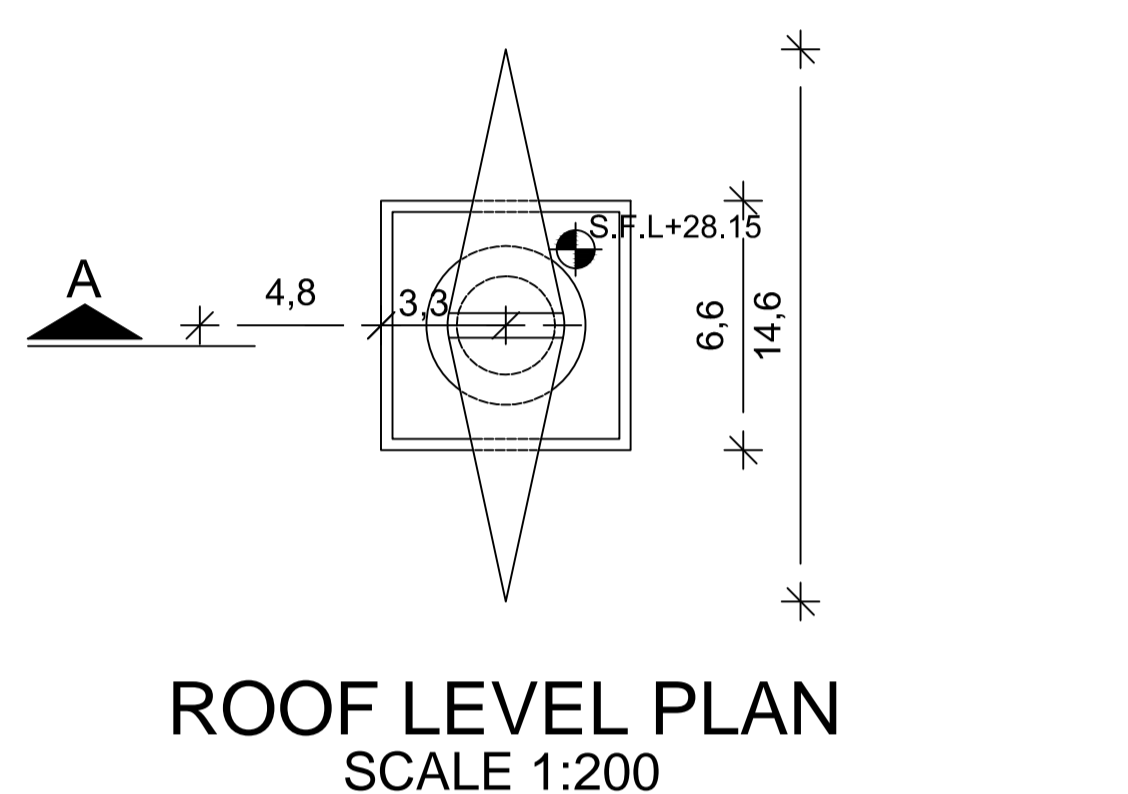
THIRD LEVEL PLAN
SCALE 1:200



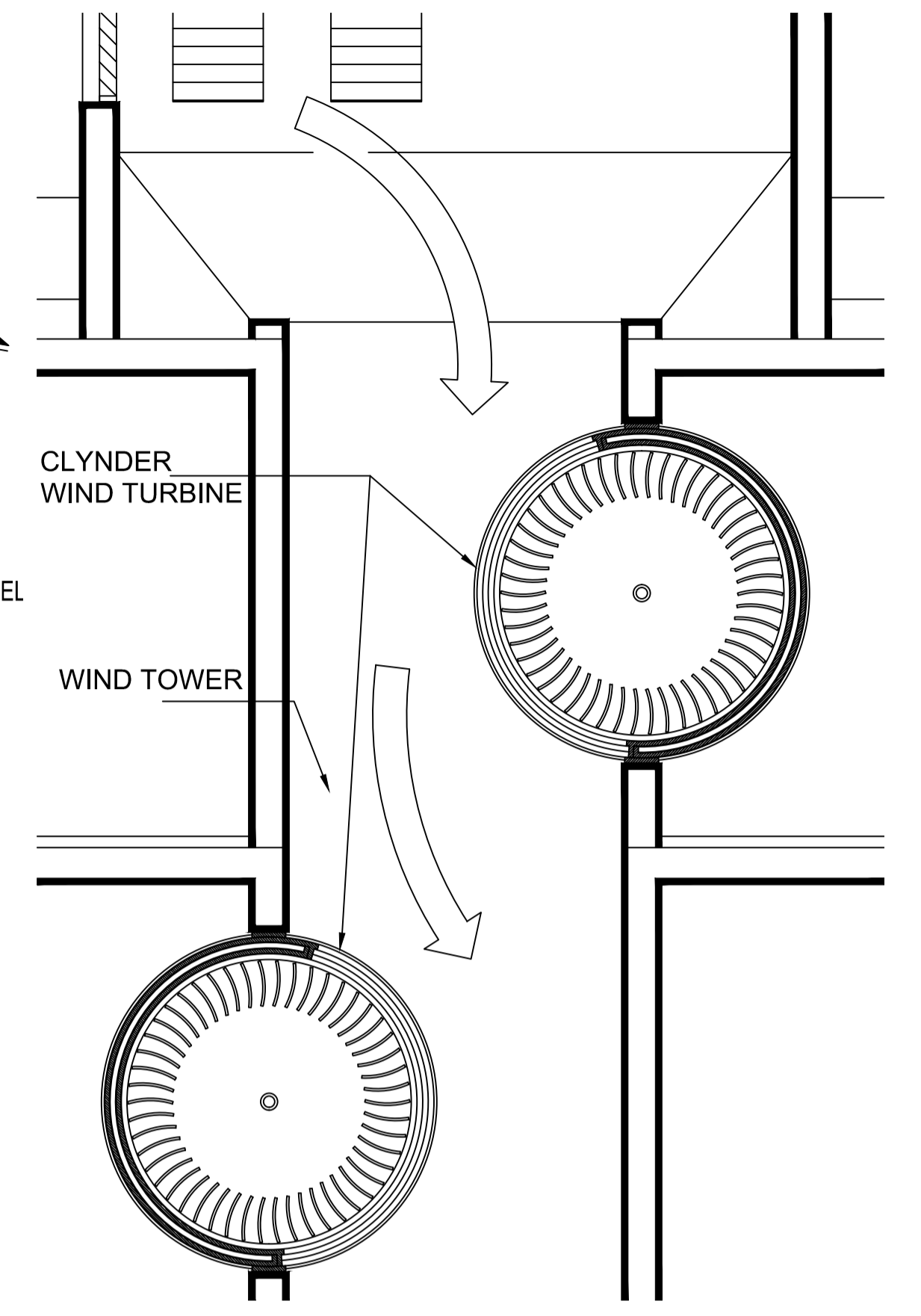
FOURTH LEVEL PLAN
SCALE 1:200



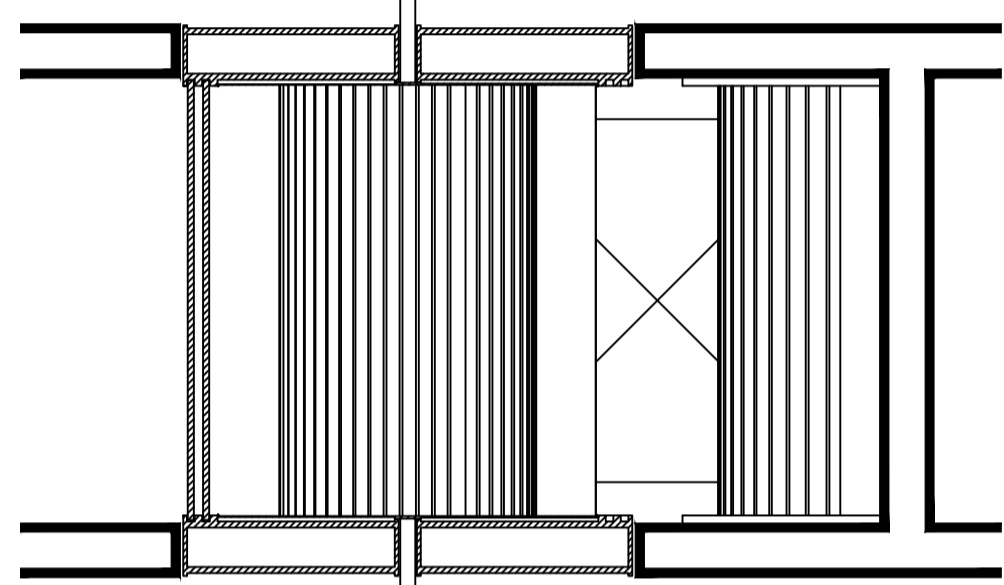
FIFTH LEVEL PLAN
SCALE 1:200



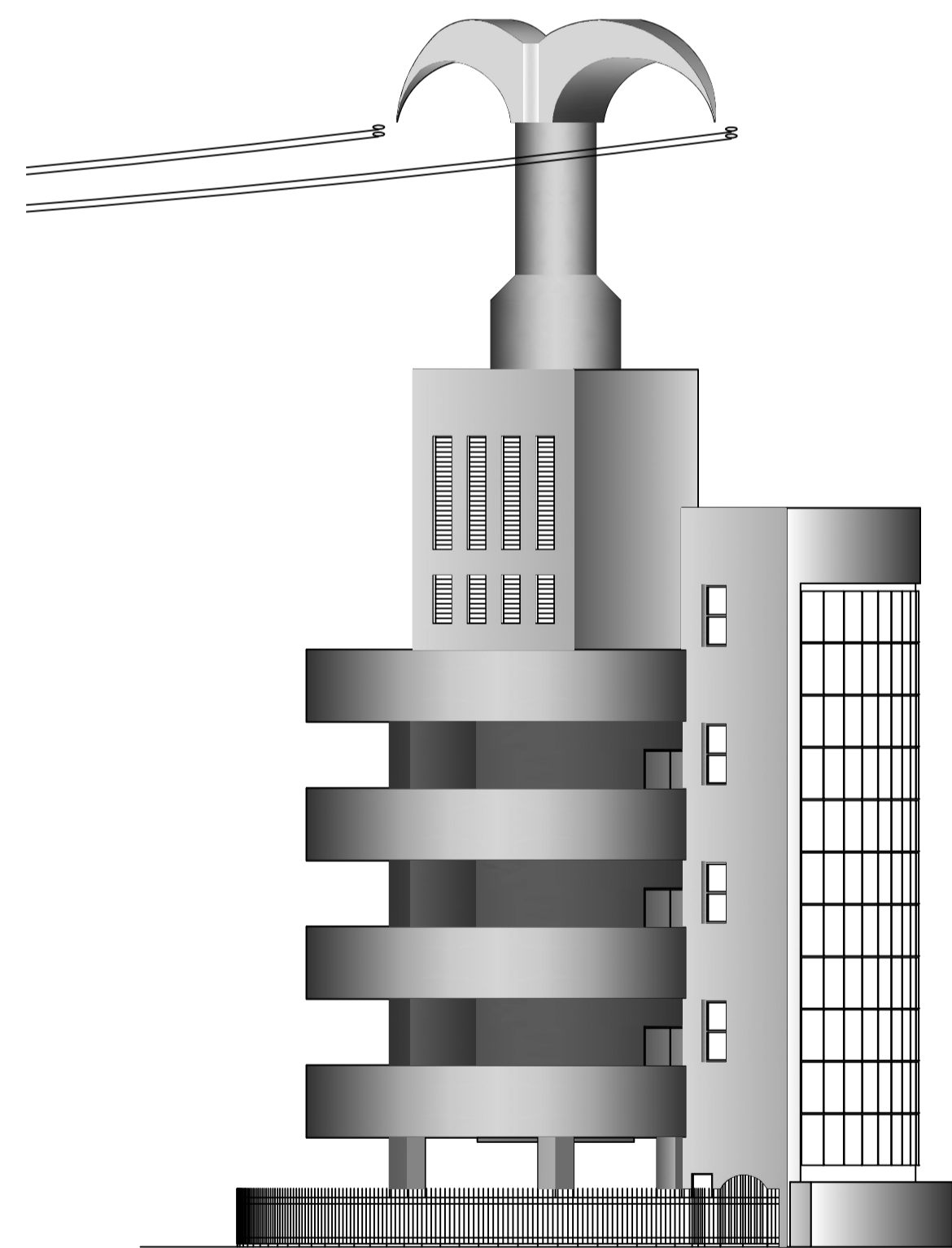
ROOF LEVEL PLAN
SCALE 1:200



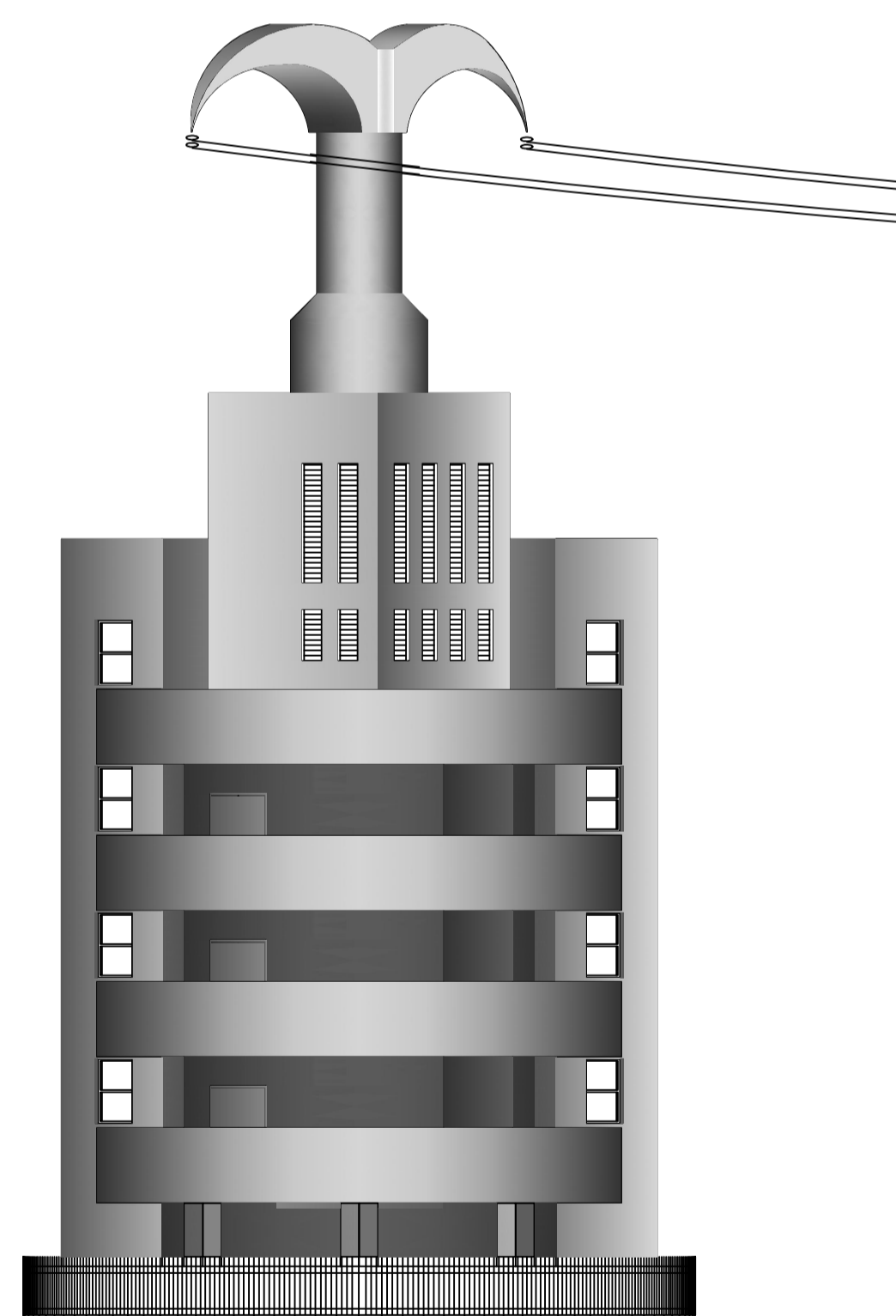
HORIZONTAL AXIS CYLINDER WIND TURBINE DETAIL
SCALE 1:50



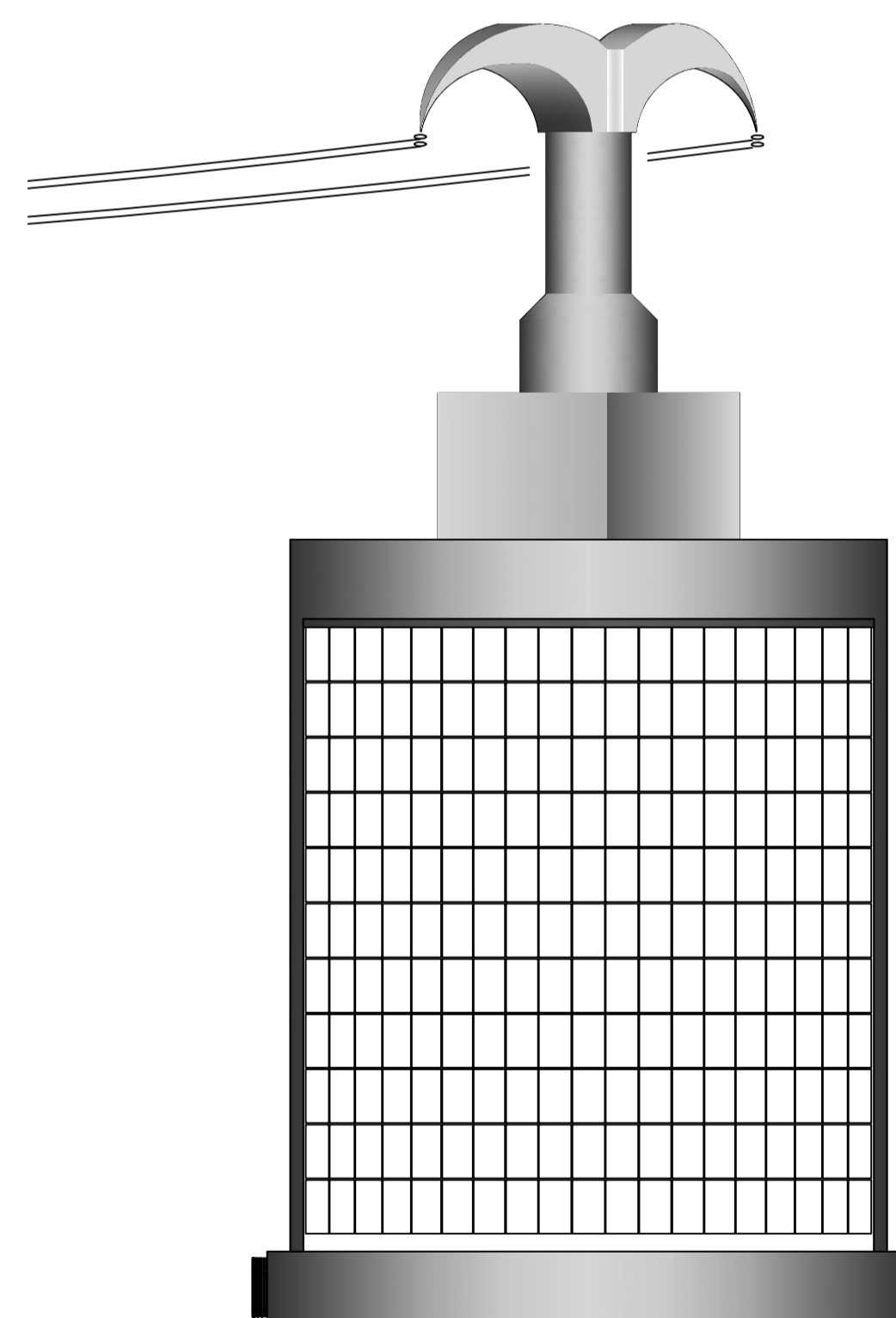
SLYNDET WIND TURBINE PLAN DETAIL
SCALE 1:50



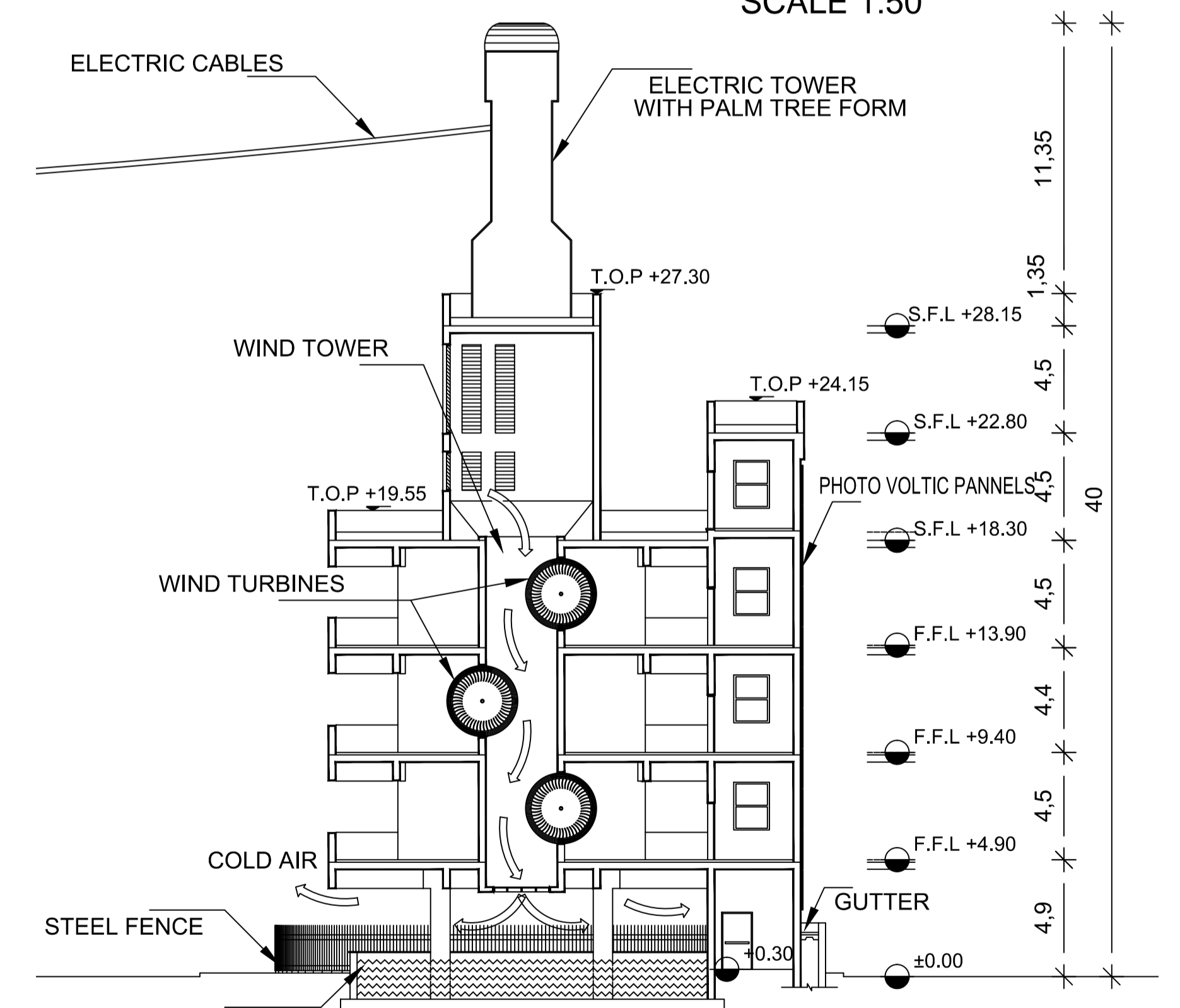
WEST ELEVATION
SCALE 1:200



NORTH ELEVATION
SCALE 1:200



SOUTH ELEVATION
SCALE 1:200



SECTION B-B
SCALE 1:200

LAGI 2019 ABUDHABI

ZONE (G-06) BUILDING DETAILS
USING PHOTO VOLTIC PANNELS &
HORIZONTAL AXIS CYLINDER WIND TURBINE INSIDE THE WIND TOWER

PROJECT NAME :
MASDAR LAND ART
FOR RENEWABLE ENERGY

