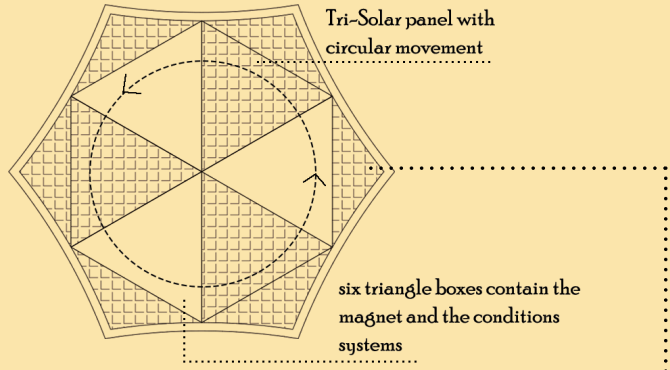
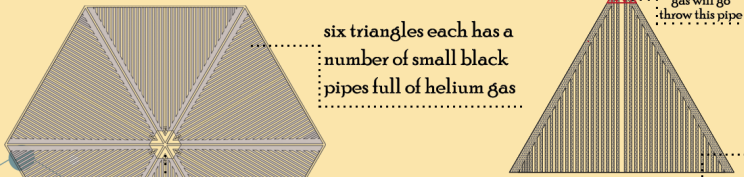


Detailed picture of the system

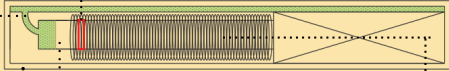


The first layer under the tri-solar panel



when the sun rays face these pipes the helium gas extends due to high temperature

Rubber head in the top of the magnet to push the 407C

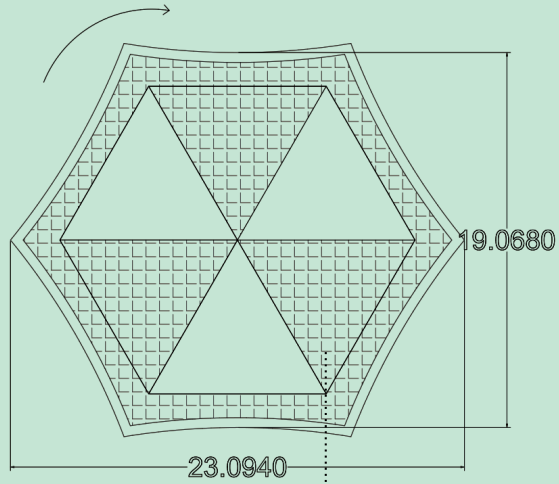


pipe full of 407C will be compressed using the magnet head and turn in to cold liquid

the cold liquid 407c exit

Condition System

Big Solar panel diminsions



Small Solar panel diminsions

