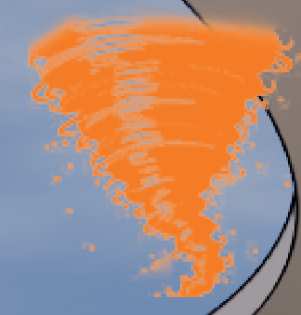


SAND STORM

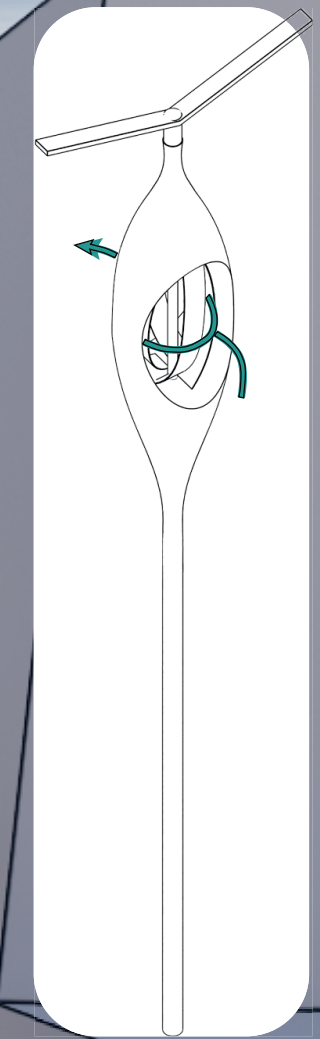


bloom energie fuel cell

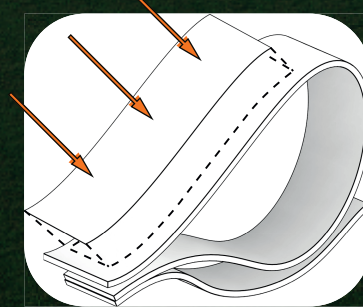
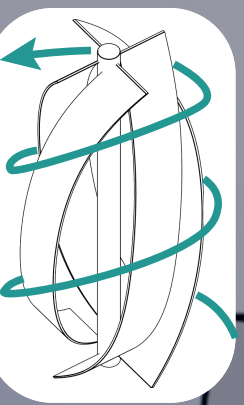
In our project that fits in the optics sustainable development, we used new tevhologies, the bloom energy fuel cell, this technology uses sand as the basis for recover energy energy solair.



bloom energie stack

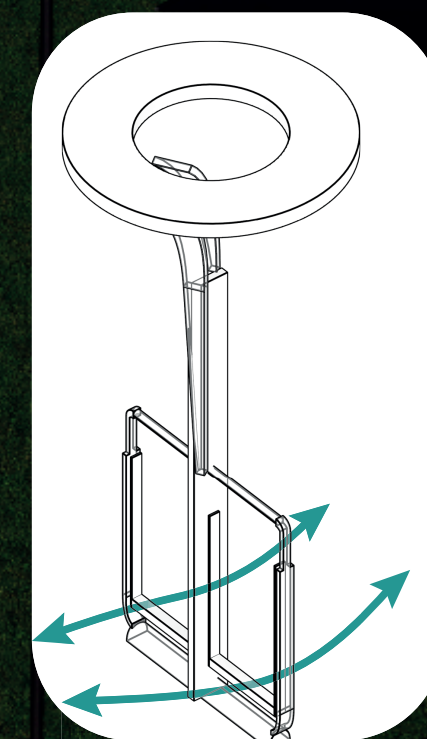


We also recover the using elements to r the same time to pl



but also the amangement use that are autoflowering, which recovers their energy from the sun.

The use of solar energy through solar panels on plates at the top of the road, allowing to recuperate solar energy while protecting from sunlight.



We also used elements that will be used but also of energy recovery element through the sport and games, in the other side.

